

MIDA

Installation, use and maintenance manual

V 6.4
11/03/2023

Copyright © Nastec srl

The information contained in this document may be changed without notice

Nastec srl, Via della Tecnica, 8, 36048, Barbarano Mossano, Vicenza, Italy, Tel. +39 0444 886289, Fax +39 0444 776099, info@nastec.eu, nastec.eu

Table of Contents

1. Introduction	5
1.1. Purpose of the manual	5
1.2. Product overview	5
2. Safety	6
2.1. Symbols	6
2.2. Qualified personnel	6
2.3. Safety warnings	6
2.4. Acoustic emission	8
2.5. Certifications	8
3. Maintenance	8
3.1. Maintenance	8
3.2. Warranty	9
3.3. Product registration	9
3.4. Spare parts	9
3.5. Disassembly and repair	10
3.6. Disposal	10
4. Transport and storage	10
4.1. Transport	10
4.2. Inspection on delivery	10
4.3. Handling	11
4.4. Storage	11
5. Technical features	11
5.1. Name	11
5.2. Technical Data	11
5.3. Dimensions and weight	13
5.4. Cables entry	13
6. Mechanical installation	13
6.1. Installation environment	13
6.2. Cooling	14
6.3. Mechanical assembly of size 2 devices	14
6.4. Assembly on-board the motor	16
6.5. Wall installation	18
7. Electrical installation	20
7.1. Grounding	20
7.2. Protection devices	20
7.3. Connecting cables	21
7.3.1. Power cables	21
7.3.2. Control cables	22
7.4. Electromagnetic Compatibility (EMC)	22
7.5. Electrical connections	22
7.5.1. Power connections	23
7.5.2. Control connections	26
7.6. Output filter board (accessory for size 2 devices)	28
8. Commissioning	29
8.1. Preliminary checks	29
8.2. Powering	29
9. Use and programming	29
9.1. Keyboard (version without display)	30
9.2. Keyboard and display	31
9.3. Control via App	31
9.4. Initial display	32
9.5. FOC motor control	33
9.5.1. Introduction	33
9.5.2. FOC control calibration	33
9.5.3. Adjusting the FOC control	34
9.6. Menu	34
9.7. Control parameters	35
9.8. Motor parameters	37

9.9. IN / OUT parameters	39
9.10. Connectivity parameters	40
10. Constant pressure operation	40
10.1. Introduction	40
10.2. The pressure vessel	40
10.3. Electrical connections	41
11. Splitting the pumping system	41
11.1. Introduction.	41
11.2. Variable speed pumping unit with two or more pumps in COMBO mode.	41
11.2.1. Cascade operating principle.	42
11.2.2. Synchronous operating principle.	42
11.2.3. Electrical connections.	42
11.2.4. Programming the master unit.	43
11.2.5. Programming of slave units.	43
11.2.6. Automatic master replacement	43
12. Operation at constant differential pressure	44
12.1. Introduction	44
12.2. Electrical connections	44
12.3. Programming	44
13. Alarms	45
14. Alarms (version without display)	48
15. Warnings	51
16. Warnings (version without display)	52
17. EC Declaration of Conformity	54
18. UK Declaration of Conformity	55

1. Introduction

1.1. Purpose of the manual

The purpose of this manual is to provide users with detailed information on the installation, operation, and maintenance of the product, with special regard to safety regulations.



WARNING

Read the manual carefully before installing and using the product.



WARNING

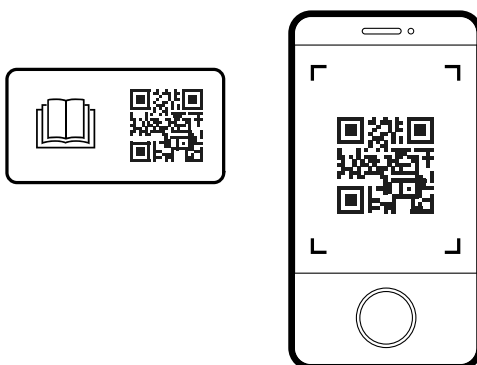
Failure to follow the instructions may result in damage to the product, the system in which it is installed and, in the worst cases, damage to property or persons with even fatal consequences.



NOTE

Store the manual in a protected and easily accessible place next to the installation location for possible consultation. A digital copy of this manual can be downloaded from the manufacturer's website or via the QR code shown on the product itself.

The complete installation, use and maintenance manual of the product, constantly updated in its contents, can be downloaded by scanning the QR code shown in the product with the smartphone camera and following the relative link.



1.2. Product overview

MIDA is a device for the control and protection of pumping systems based on the variation of the pump power supply frequency. It can be applied to both new and old systems ensuring:

- energy and economic savings
- simplified installation and lower system costs
- extended life of the system
- improved reliability

MIDA, when connected to any pump on the market, it manages its operation in order to keep a certain physical quantity constant (pressure, differential pressure, flow rate, temperature, etc.) as the conditions of use change. In this manner, the pump, or the pump system, is operated only when, and to the extent that, it is needed, thus avoiding unnecessary energy waste and extending its life. At the same time the device can:

- protect the motor from overloads and dry runs
- implement soft starts and soft stops to increase system life and reduce absorption peaks
- provide an indication of the current consumption and the supply voltage
- record the operating hours and, based on these, the errors and faults reported by the system
- connect to other devices to obtain combined operation

Appropriate output filters, available upon request, allow reducing the dangerous overvoltages that are generated in very long cables and, therefore, make the device ideal also for controlling submerged pumps.

2. Safety

2.1. Symbols


TIP

This symbol indicates a TIP or recommendation.


NOTE

This symbol indicates a NOTE or an indication or concept to be emphasised.


CAUTION

This symbol indicates CAUTION, thus an indication which failure to respect can lead to minor or moderate damage.


WARNING

This symbol indicates a WARNING, thus an indication which, in the event of non-compliance, may lead to serious, even fatal damage to persons or things.


DANGER

This symbol indicates an ELECTRICAL HAZARD, which if not avoided will result in death or electrocution.

2.2. Qualified personnel


WARNING

The installation, use and maintenance of the product are strictly for qualified personnel who have undergone appropriate training. Any use by unqualified personnel must be carried out under the approval, responsibility, and close monitoring of the latter.


WARNING

Failure to follow the instructions may result in damage to the product, the system in which it is installed and, in the worst cases, damage to property or persons with even fatal consequences.


WARNING

Failure to comply with the instructions may lead to loss of warranty.


WARNING

Keep out of the reach of children.

2.3. Safety warnings


WARNING

During installation and use of the product, comply with the general safety regulations, working in a clean, dry environment, free of hazardous substances and using the appropriate accident prevention tools (gloves, helmet, goggles, shoes, and whatever else is necessary).


WARNING

The product is suitable for installation in industrial environments. In case of installation in a residential environment, it is recommended to adopt all the safety precautions required by local regulations.

**WARNING**

The unsuitable use of the product, non-original spare parts or tampering with the hardware and/or firmware of the product may lead to serious damage to property or persons in addition to the loss of warranty. The manufacturer waives all liability due to the improper use of its products.

**WARNING**

Before commissioning the product, ensure that the installation is safe and in accordance with local regulations.

**WARNING**

Comply with the provisions to meet EMC requirements.

**WARNING**

Use cables of the appropriate type and cross-section according to the electrical characteristics of the load, the ambient temperature and local regulations.

**WARNING**

Any insulation tests may only be performed in accordance with the manufacturer's instructions. Failure to do so may result in damage to the unit.

**CAUTION**

Electronic boards and components may be damaged by electrostatic discharge. We therefore, recommend to don't touch the components.

**CAUTION**

Take care during installation and electrical connection that no foreign bodies enter into the device.

**DANGER**

During the entire period in which the device is powered, regardless of whether it is operated or remains in stand-by (digital shutdown), high voltage is present inside the device and at the input and output terminals.

**DANGER**

The device, previously in stand-by condition, may suddenly start up following the reset of an alarm or changed system conditions. This may result in serious mechanical and electrical danger to the operator who, upon seeing the device stopped, may have intervened on it, on the load or on the system in which it is installed.

**DANGER**

Disconnect the device from the power supply, check that the load is completely stopped and wait at least 15 minutes before intervening on it or on the load applied to it.

**DANGER**

If the motor is of the permanent magnet type, the device may be energized by the passive rotation of the motor. In this case, both the power supply and the load should be disconnected before working on the device itself.

**DANGER**

Ensure that the device is fully closed and all fixing screws are properly tightened before supplying power. Do not remove the protective parts for any reason while the device is powered on.

**DANGER**

It is recommended to install the appropriate protection devices upstream of the device, such as a circuit breakers, fuses and a residual current device (RCD).

**DANGER**

Make sure that the device and the loads connected to it are properly grounded with the appropriate connection terminals before commissioning.

Ensure that the grounding system is compliant and refer to local regulations for grounding devices.

Each load must be fitted with its own earthing cable, the length of which must be as short as possible. Do not make interconnected grounding connections.

Leakage currents may exceed 3.5 mA. It is recommended to use the reinforced ground connection if necessary.

**CAUTION**

During operation, some surfaces may reach high temperatures that may cause burns upon contact with skin. Be very careful when touching the device!

Avoid contact with flammable products.

**WARNING**

Do not place any interrupting or switching devices between the inverter and the load. Interruption or switching during motor operation may cause serious damage to the device.

**WARNING**

Do not perform insulation tests on the load or power cable without first disconnecting them from the device.

2.4. Acoustic emission

The device has an acoustic emission:

<65 dB at a distance of 1 meter with cooling fans at maximum speed.

2.5. Certifications

The product has the following certifications:

- CE

3. Maintenance

3.1. Maintenance

**WARNING**

Before carrying out any work on the device, carefully read the chapter [Safety \[6\]](#) in the manual.

**WARNING**

Failure to follow the instructions may result in damage to the product, the system in which it is installed and, in the worst cases, damage to property or persons with even fatal consequences.

**WARNING**

Failure to comply with the instructions may lead to loss of warranty.

The device requires the following maintenance:

Intervention	Interval
Check that the unit is properly cooled, that the fans are functioning and that the cooling surfaces are clean	Every 6 months, or following a temperature alarm
Check for alarms	Every 12 months
Check the correct tightening of the power terminals	Every 12 months
Verify the maintenance of the protection rating (ingress of dust or water) by checking the tightening of the screws in the mechanical closing parts, the gaskets, and the cable glands.	Every 12 months

**TIP**

For more information contact the dealer or technical support at service@nastec.eu or by opening a support ticket on the portal service.nastec.eu

3.2. Warranty

Nastec guarantees that the products accompanied by this warranty are free from material or workmanship defects. The Company has the right to inspect any product returned under warranty, and confirm that the product contains a material or workmanship defect. The Company has the exclusive right to decide whether to repair or replace defective equipment, parts or components. To qualify for the warranty coverage, the buyer must return the product to the place of purchase. Subject to the terms and conditions listed below, the Company agrees to repair or replace any part of this product that has material or workmanship defects. The Company will evaluate products under warranty for 24 months from the date of installation (only in case of product registration) but no longer than 36 months from the date of invoice. IN NO EVENT shall the Company be liable for any other costs incurred by the customer in removing and/or fastening any product, part or component thereof. The Company reserves the right to change or improve its products or any part thereof, without being obliged to provide such a change or improvement for products previously sold. THIS WARRANTY DOES NOT APPLY to products damaged by natural events, including lightning, normal wear and tear, normal maintenance services, or any other condition beyond the control of the Company. THIS WARRANTY WILL BE VOIDED if any of the following conditions occurs:

- The product is used for purposes other than those for which it was designed and manufactured.
- The product has not been installed in accordance with applicable codes and rulings.
- The product has not been installed by qualified personnel.
- The item has been damaged due to negligence, abuse, misapplication, tampering, alteration, improper installation, operation, maintenance and storage.

If the customer wishes to make a warranty claim, it is necessary:

- Fill in the warranty claim on the service.nastec.eu portal
- Wait for the result from the Nastec technical support service. The outcome may envisage the following:
 - Absence of warranty based on the information received. A quotation for repair or spare parts may be made upon request.
 - Warranty advanced based on information received. Nastec will decide if the product is to be replaced under warranty. However, Nastec reserves the right to inspect the product.
 - Need to receive the product by the manufacturer in order to establish the potential warranty. Following the analysis of the returned product, Nastec will establish the unquestionable existence or absence of the warranty conditions by providing a detailed report on the damage found and its origins. If the warranty is applicable, Nastec will repair the device. Nastec is willing to refurbish the product upon offer. In the absence of a warranty, Nastec will make an offer to repair and/or refurbish the device. After 60 days from the offer, if no response is received from the buyer, Nastec will scrap the product upon notice. Nastec does not cover any warranties provided by the buyer to third parties, without its prior authorization.

3.3. Product registration

By registering the product on the portal service.nastec.eu, it is possible to activate the manufacturer's warranty valid for 24 months from the registration date up to a maximum of 36 months from the date of manufacture, according to the warranty conditions. Registration must be completed within one month from the date of installation of the product.

The warranty is offered through the distribution chain. It is therefore necessary to specify the official distributor or importer from which the product was purchased. Alternatively, the distributor can register the product in the customer's name.

3.4. Spare parts

The manufacturer provides spare parts for the device. Contact your dealer for more information.

**WARNING**

It is recommended to use only original spare parts.

**WARNING**

Failure to follow the instructions may result in damage to the product, the system in which it is installed and, in the worst cases, damage to property or persons with even fatal consequences.

**WARNING**

Failure to comply with the instructions may lead to loss of warranty.

3.5. Disassembly and repair

If it is necessary to disassemble and repair the device, it is recommended that the safety instructions be strictly observed.

**WARNING**

The installation, use and maintenance of the product are strictly for qualified personnel who have undergone appropriate training. Any use by unqualified personnel must be carried out under the approval, responsibility, and close monitoring of the latter.

**WARNING**

Failure to follow the instructions may result in damage to the product, the system in which it is installed and, in the worst cases, damage to property or persons with even fatal consequences.

**WARNING**

Failure to comply with the instructions may lead to loss of warranty.

**TIP**

For more information contact the dealer or technical support at service@nastec.eu or by opening a support ticket on the portal service.nastec.eu

3.6. Disposal



Devices marked with this symbol cannot be disposed of in household waste but must be disposed of at appropriate waste drop-off centres. It is recommended to contact the Waste Electrical and Electronic Equipment drop-off centres (WEEE) in the area. If not disposed of properly, the product may have potential harmful effects on the environment and on human health due to certain substances present within. Illegal or incorrect disposal of the product is subject to severe administrative and/or criminal penalties.

4. Transport and storage

4.1. Transport

Avoid subjecting the product to severe shocks or extreme weather conditions during transport. The packaging must remain dry and at a temperature between -20°C (-4°F) and +70°C (+158°F). Do not stack packages without first checking feasibility with the manufacturer.

**TIP**

It is advisable to always indicate FRAGILE on the packaging

4.2. Inspection on delivery

Upon receipt of the product, check:

- the integrity of the packaging
- the integrity of the content
- the presence of all components

In case of problems, notify the forwarder immediately.

**WARNING**

The manufacturer declines all responsibility for damage to the product due to transport

4.3. Handling

The product must be handled by hand or using suitable lifting equipment in relation to its weight and the regulations in force.

If necessary, use dedicated handling equipment (cranes, ropes, trolleys), using the lifting points provided in the product.

During handling it is recommended to:

- Handle with care
- keep away from suspended loads
- always wear accident prevention equipment
- be careful not to damage electrical cables

Do not handle the product using electrical cables as lifting gear.

**WARNING**

Failure to follow the instructions may result in damage to the product, the system in which it is installed and, in the worst cases, damage to property or persons with even fatal consequences.

4.4. Storage

The product must be stored in its packaging in a dry place, without sudden changes in humidity and temperature and protected from mechanical (weights, vibrations), thermal and chemical agents.

The temperature of the storage environment must be between -20°C (-4°F) and 70°C (+158°F) with a maximum relative humidity of 85% (non-condensing).

If the product remains in stock for more than 24 months from the manufacturing date shown on the packaging, it is necessary to check the mechanical integrity of its parts and supply power to it at least once every 12 months.

If the product is put back into storage after it has been used, it is advisable to contact the manufacturer for further information on storage.

**TIP**

For more information contact the dealer or technical support at service@nastec.eu or by opening a support ticket on the portal service.nastec.eu

5. Technical features

5.1. Name

MIDA ABCD - EFGH

- **MIDA**: Product name
- **A**: Nominal AC supply voltage (2 = 1x230 VAC, 3 = 3x230 VAC, 4 = 3x400 VAC)
- **BCD**: Rated output current
- **EF**: Customization code (01 = standard customization)
- **G**: Mounting kit included in the package (0 = none, 1 = motor, 2 = wall, 3 = motor+wall)
- **H**: Pressure sensor included in the package (0 = none, 1 = pressure sensor 0-16 bar)

5.2. Technical Data

Electrical specifications by model:

Model	Vin +/- 15% [VAC]	Max V out [VAC]	Max I in [A]	Max I out [A]	Typical motor P2 [kW]	Maximum efficiency [%]	Size
MIDA 203	1 x 230	3 x Vin	4,5	3	0,55	94,5	1
MIDA 205	1 x 230	3 x Vin	7,5	5	1,1	94	1

MIDA

Model	Vin +/- 15% [VAC]	Max V out [VAC]	Max I in [A]	Max I out [A]	Typical motor P2 [kW]	Maximum efficiency [%]	Size
MIDA 207	1 x 230	3 x Vin	11	7,5	1,5	94	1
MIDA 304	3 x 230	3 x Vin	3,7	4	0,75	96	1
MIDA 306	3 x 230	3 x Vin	5,4	6	1,1	96	1
MIDA 309	3 x 230	3 x Vin	8	9	2,2	96	1
MIDA 314	3 x 230	3 x Vin	13,5	14	3	97	2
MIDA 318	3 x 230	3 x Vin	17,5	18	4	97	2
MIDA 325	3 x 230	3 x Vin	24	25	5,5	97	2
MIDA 330	3 x 230	3 x Vin	29	30	7,5	97	2
MIDA 338	3 x 230	3 x Vin	42	38	9,2	97	2
MIDA 344	3 x 230	3 x Vin	42	44	11	97	2
MIDA 404	3 x 380 - 460	3 x Vin	3,7	4	1,1	96	1
MIDA 406	3 x 380 - 460	3 x Vin	5,4	6	2,2	96	1
MIDA 409	3 x 380 - 460	3 x Vin	8	9	4	96	1
MIDA 414	3 x 380 - 460	3 x Vin	13,5	14	5,5	97	2
MIDA 418	3 x 380 - 460	3 x Vin	17,5	18	7,5	97	2
MIDA 425	3 x 380 - 460	3 x Vin	24	25	11	97	2
MIDA 430	3 x 380 - 460	3 x Vin	29	30	15	97	2
MIDA 438	3 x 380 - 460	3 x Vin	36	38	18,5	97	2
MIDA 444	3 x 380 - 460	3 x Vin	42	44	22	97	2

General electrical specifications:

Power supply frequency	50 - 60 Hz (+/- 2%)
Voltage unbalance between the power supply phases	+/- 2%
Maximum output frequency	300 Hz
EMC compliance	EN61800-3 C1 for single-phase models, C2 for three-phase models
Energy efficiency class (according to EN61800-9-2)	IE2

Environmental specifications:

Relative humidity of the operating environment	5 - 95 % non-condensing
Workplace temperature	from -10 °C (14 °F) to 60 °C (140 °F)
Maximum workplace temperature at nominal load	40°C (104 °F)
Power derating beyond maximum temperature	-2.5% every °C (-1.4% every °F)
Maximum altitude at nominal load	1000 m (3280 ft)
Power derating beyond maximum altitude	- 1% every 100 m (328 ft)

Mechanical specifications:

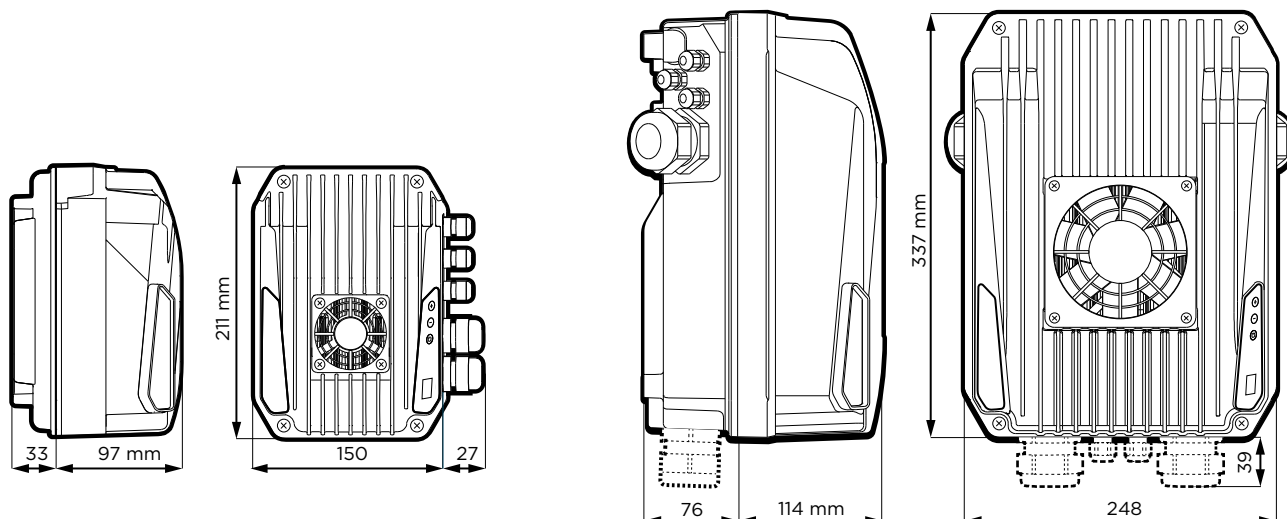
Protection rating	IP66 (NEMA 4X)
Resistance to vibrations	EN60068-2-6:2008, EN60068-2-27:2009, EN60068-2-64:2008,



WARNING

Protect the device from direct exposure to weather and sunlight.

5.3. Dimensions and weight



Size	Maximum weight [kg]
1	2,5
2	10

5.4. Cables entry

Cable gland	Tightening torque [Nm]	Cable diameter [mm]	Size		
			1	2	2
					MIDA 338 , MIDA 344 ,MIDA 438 , MIDA 444 , MIDA Solar 438 MP , MIDA Solar 444 MP
M12	1,5	3,5-7	3	6	6
M16	3	5-10	-	2	2
M20	6	7-13	2	-	-
M25	8	10-17	-	2	-
M40	13	19 -28	-	-	2

6. Mechanical installation



WARNING

Read the safety chapter carefully before continuing.

6.1. Installation environment



WARNING

The environmental specifications stated in the technical data of the product must be strictly complied with.



WARNING

Do not install the device in environments at a risk of explosion, flooding, or in the presence of flammable fluids or solids. Ensure sufficient ventilation in the room.

Refer to local regulations when selecting the appropriate installation location.

**WARNING**

The degree of protection of the device is only ensured if, at the end of the installation, the cover screws and the cable glands have been properly tightened. Close the holes of unused cable glands with the appropriate plugs.

Protect the device from direct exposure to weather and sunlight.

Do not leave the device installed without cover or with the cable glands open, even if not connected to the power supply. The infiltration of dust, water or humidity may irreparably damage the device.

**WARNING**

To ensure uninterrupted operation, the device can gradually and automatically reduce performance before shutting down following over-temperature. However, prolonged operation above the rated temperature leads to a reduction in the life of the device.

6.2. Cooling

The device is cooled primarily by forced air circulation through the heat sink element.

In addition to the heat sink, the device also uses the remaining surfaces to cool itself. It is therefore necessary to ensure sufficient space around the device during installation.

In particular, the distance between the suction and discharge side of the heat sink and the other surfaces must be at least:

- 150 mm for current intensity up to 18 A
- 200 mm for current intensity up to 30 A
- 250 mm for current intensity up to 44 A

On the other sides, maintain a minimum distance of 100 mm to ensure cooling and to make installation and maintenance operations easier.



During operation, the surfaces of the device can become hot enough to cause burns. Do not touch them.

In the case of installation inside electric cabinet, it is necessary to guarantee the appropriate air flow for the heat dissipation of all the components. The heat released by the device may be calculated from its conversion efficiency.

**WARNING**

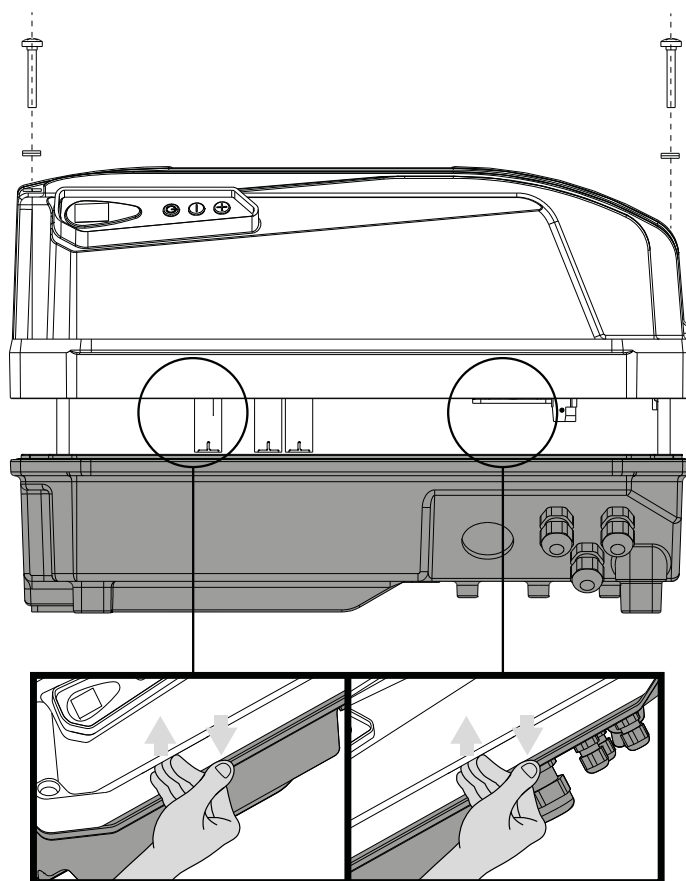
Do not place any heat-generating elements (outlet filters) on the suction side of the device to prevent dangerous overheating.

6.3. Mechanical assembly of size 2 devices

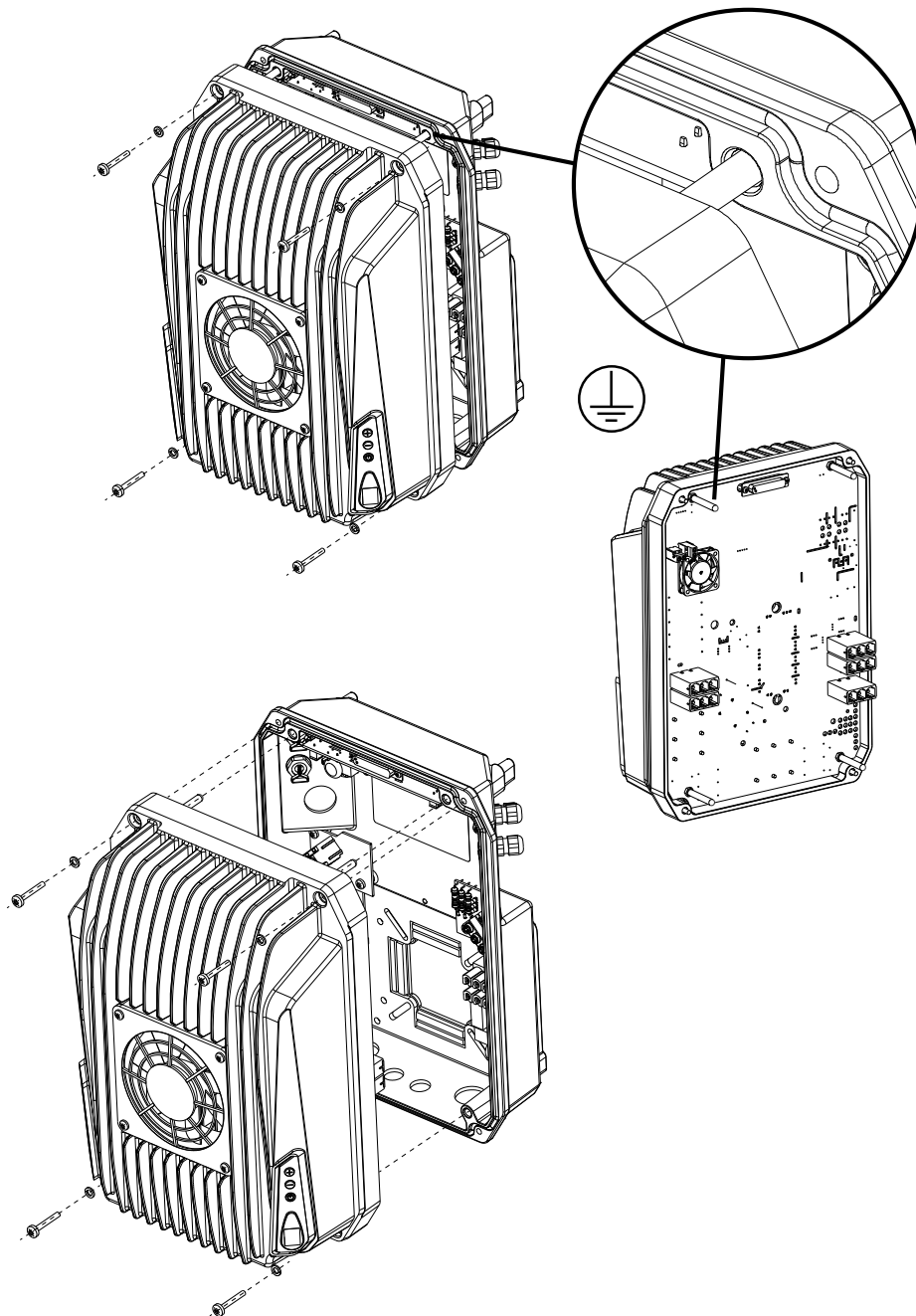
The size 2 devices are equipped with a quick connection system that allows carrying out both power and signal electrical connections on the fixed part, called "base", while the mobile part, called "power", is applied later.

This allows working smoothly during electrical connections without running the risk of damaging the power part. It also facilitates quick power replacement in case of failure without the need to remove connections.

To open the device, please follow the instructions shown in the figure and proceed with caution.



In size 2 devices, the ground connection between the base and the power is made by means of four metal pins on the power side that engage into four special holes on the base with spring contacts. At the same time, these metal pins serve as a guide for a correct coupling between the base and the heat sink.

**DANGER**

Be careful not to damage or remove the four metal pins, as this will not only compromise the mechanical coupling between the base and the power, but also the ground connection.

6.4. Assembly on-board the motor

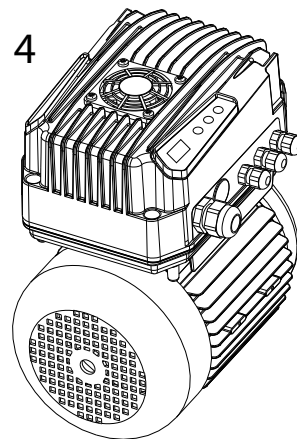
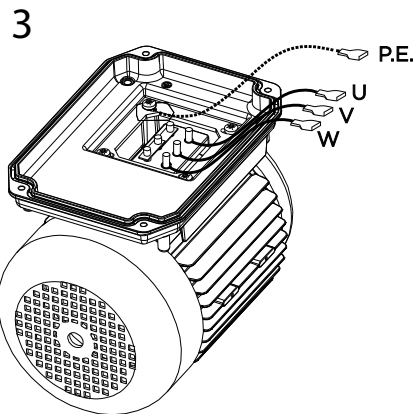
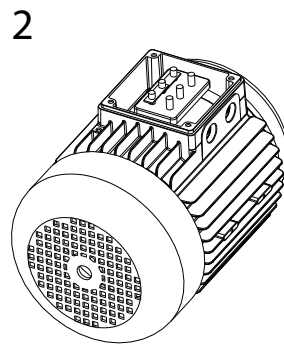
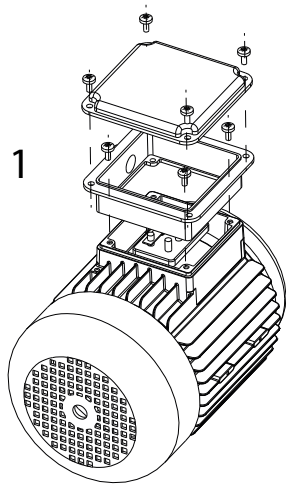
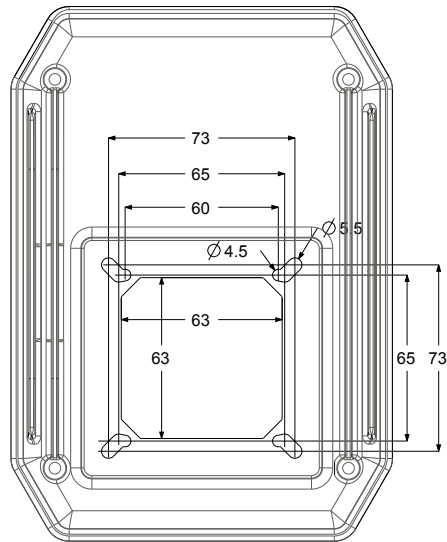
The device may be installed in place of the motor terminal box cover both horizontally and vertically. It is necessary to check with the motor manufacturer whether the base of the device can be fastened to the motor casing.

The seal on the base of the device provides protection against the ingress of water and dust. Drill the seal only in the area where the four holes for fastening to the motor casing are. It is possible to use the same screws and washers with which the terminal box cover was fastened to the motor casing. Please refer to the following instructions when fastening the device to the motor.

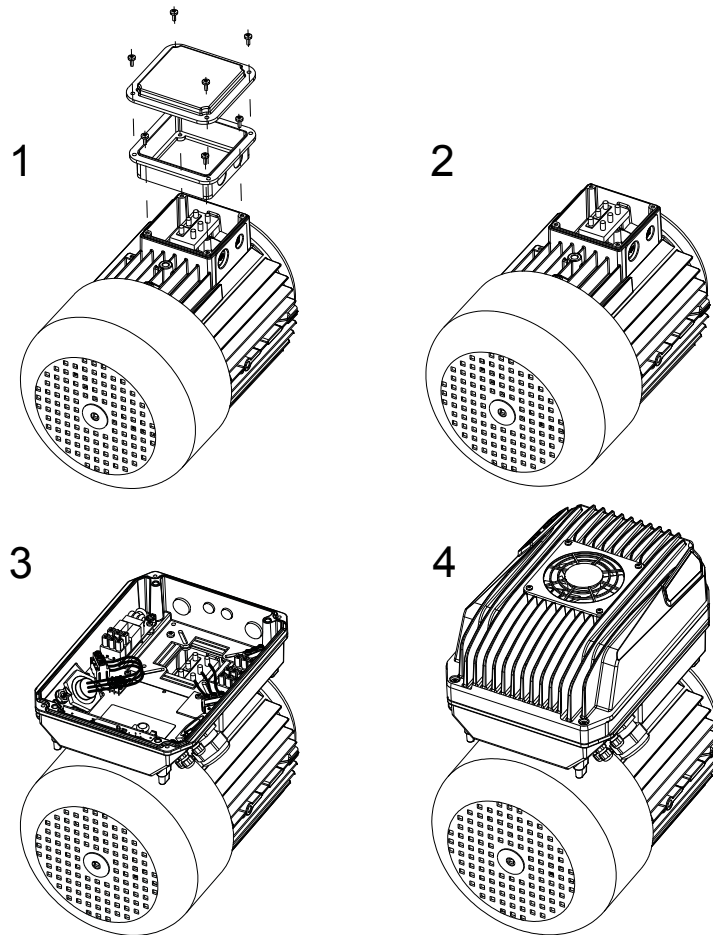
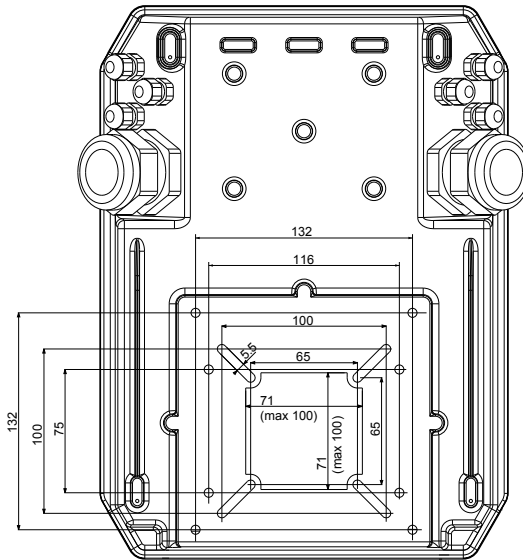
**DANGER**

At the end of the installation, check the ground continuity between the base of the device and the motor casing.

On-board motor installation for size 1 devices



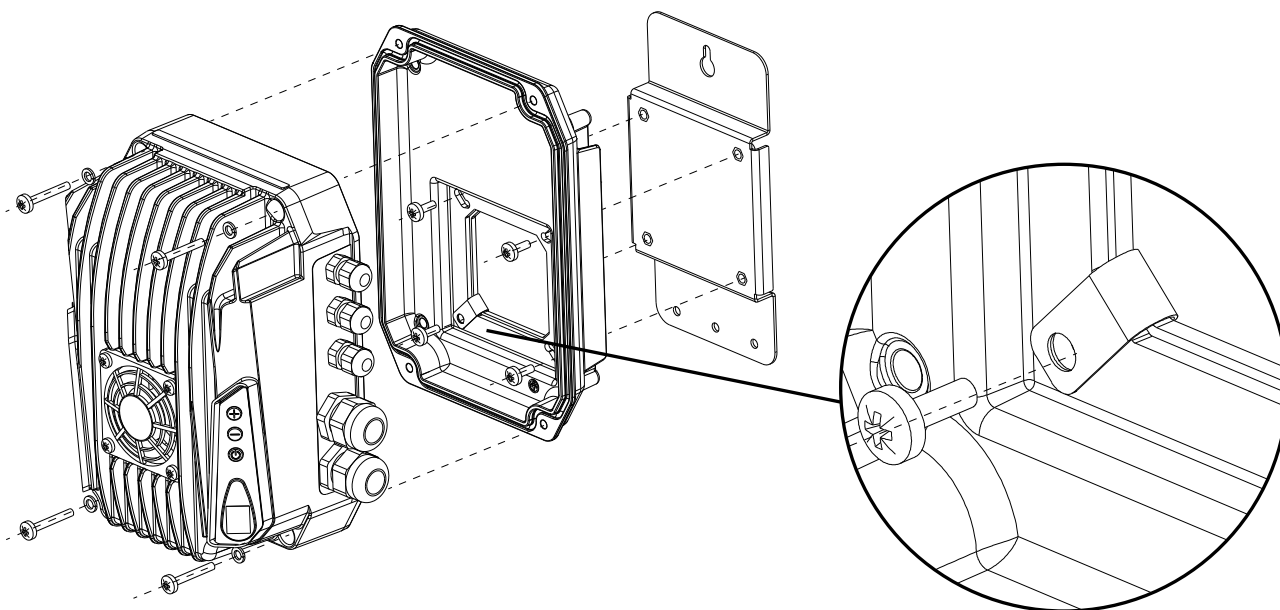
On-board motor installation for size 2 devices



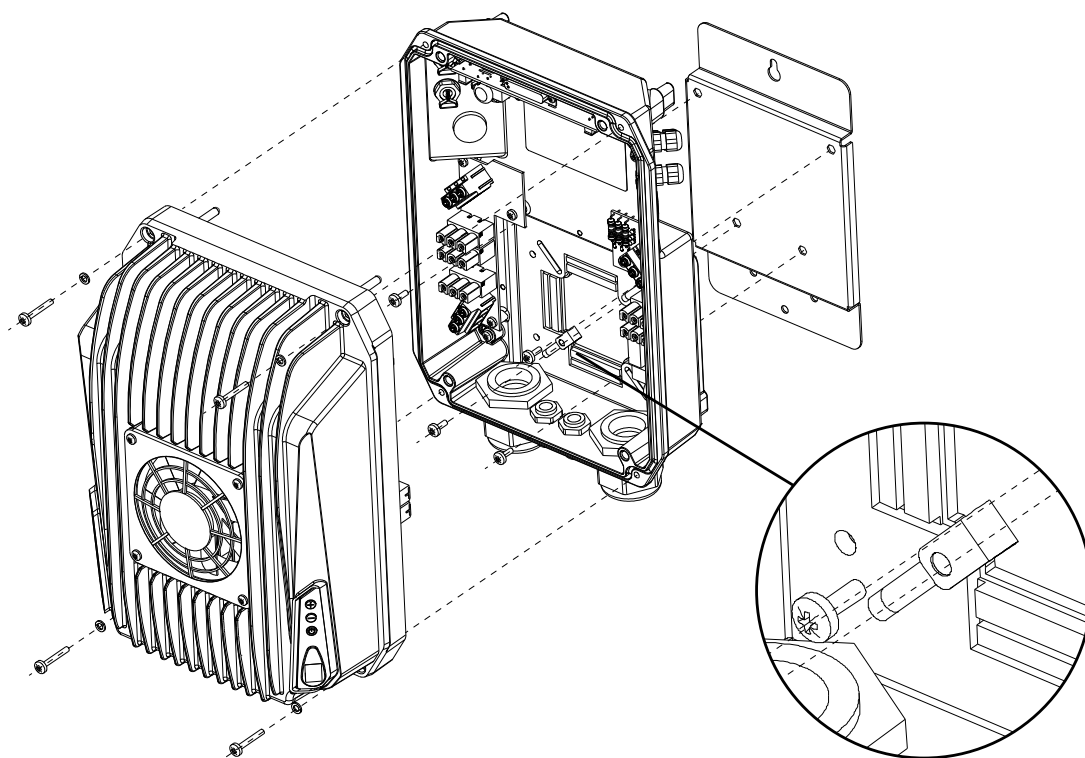
6.5. Wall installation

Wall installation is carried out by means of the special metal bracket available on request.

Wall installation for size 1 devices



Wall installation for size 2 devices



DANGER

The ground continuity between the base of the device and the bracket is ensured by the special component shown in the figure. Install this component and verify the ground continuity between the bracket and the base of the device at the end of the installation.

Alternatively, it is possible to drill the aluminum base in the area where the four special fixing holes are. The fixing screws must be equipped with O-rings to guarantee the protection rating.

7. Electrical installation



WARNING

Read the safety chapter carefully before continuing.

7.1. Grounding



DANGER

Make sure that the device and the loads connected to it are properly grounded with the appropriate connection terminals before commissioning.

Ensure that the grounding system is compliant and refer to local regulations for grounding devices.

Each load must be fitted with its own earthing cable, the length of which must be as short as possible. Do not make interconnected grounding connections.

Leakage currents may exceed 3.5 mA. It is recommended to use the reinforced ground connection if necessary.

Use the following minimum cross-sections for ground cables:

- cross-section equal to the mains power cable cross-section up to 16 mm². (6 AWG)
- 16 mm² (6 AWG) for mains power cable cross-section between 16 mm² (6 AWG) and 35 mm² (1 AWG).
- cross-section equal to half the cross-section of the power supply cable when the latter is greater than 35 mm² (1 AWG).

7.2. Protection devices



DANGER

It is recommended to install the appropriate protection devices upstream of the device, such as a circuit breakers, fuses and a residual current device (RCD).

Fuses and switches.

The control device can protect the motor from overloads by digitally controlling the absorbed current against the set rated current.

It is therefore not necessary to install any overload protection device between the inverter and the motor.

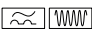

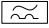
Instead, it is necessary to install overcurrent and short-circuit protection devices, such as fuses and circuit breakers, upstream of the device. These trigger in the event of failure of a component inside the device.

Supply voltage	Model	Recommended fuse gC	Recommended circuit breaker ABB MCB S200
1 x 230 VAC	MIDA 203	10	S201-C10
1 x 230 VAC	MIDA 205	10	S201-C10
1 x 230 VAC	MIDA 207	16	S201-C16
3 x 230 VAC	MIDA 304	10	S203-C10
3 x 230 VAC	MIDA 306	10	S203-C10
3 x 230 VAC	MIDA 309	16	S203-C16
3 x 230 VAC	MIDA 314	20	S203-C20
3 x 230 VAC	MIDA 318	25	S203-C25
3 x 230 VAC	MIDA 325	30	S203-C32
3 x 230 VAC	MIDA 330	35	S203-C40
3 x 230 VAC	MIDA 338	50	S203-C50
3 x 230 VAC	MIDA 344	63	S203-C63
3 x 380 - 460 VAC	MIDA 404	10	S203-C10
3 x 380 - 460 VAC	MIDA 406	10	S203-C10
3 x 380 - 460 VAC	MIDA 409	16	S203-C16
3 x 380 - 460 VAC	MIDA 414	20	S203-C20
3 x 380 - 460 VAC	MIDA 418	25	S203-C25

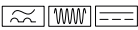
Supply voltage	Model	Recommended fuse gC	Recommended circuit breaker ABB MCB S200
3 x 380 - 460 VAC	MIDA 425	30	S203-C32
3 x 380 - 460 VAC	MIDA 430	35	S203-C40
3 x 380 - 460 VAC	MIDA 438	50	S203-C50
3 x 380 - 460 VAC	MIDA 444	63	S203-C63

Residual Current Devices (RCD)

For inverter devices with single-phase power supply, use AC-sensitive RCD devices of both sine and pulse types. The devices listed are, in order of priority:

- type F, marked with the symbols  capable of detecting high-frequency currents up to 1 kHz.
- type A-APR, marked with the symbols  characterized by a slight intervention delay.
- type A, marked with the symbols 

For inverter devices with three-phase power supply, use RCD devices that are sensitive to both alternating and direct current. The following are suitable devices:

- Type B, marked with the symbols 

7.3. Connecting cables



WARNING

The connecting cables must comply with local regulations, feature the appropriate cross-section, and meet the requirements for voltage, current, and temperature.

7.3.1. Power cables

Model	Maximum cross-section of the input cable with ground	Maximum cross-section of the output cable with ground	Cable tightening torque [Nm]	Ground cable tightening torque
MIDA 203	3 x 2,5 mm ²	4 x 2,5 mm ²	-	-
MIDA 205	3 x 2,5 mm ²	4 x 2,5 mm ²	-	-
MIDA 207	3 x 2,5 mm ²	4 x 2,5 mm ²	-	-
MIDA 304	4 x 2,5 mm ²	4 x 2,5 mm ²	-	-
MIDA 306	4 x 2,5 mm ²	4 x 2,5 mm ²	-	-
MIDA 309	4 x 2,5 mm ²	4 x 2,5 mm ²	-	-
MIDA 314	4 x 6 mm ²	4 x 6 mm ²	1	3
MIDA 318	4 x 6 mm ²	4 x 6 mm ²	1	3
MIDA 325	4 x 6 mm ²	4 x 6 mm ²	1,5	3
MIDA 330	4 x 6 mm ²	4 x 6 mm ²	1,5	3
MIDA 338	4 x 16 mm ²	4 x 16 mm ²	1,5	3
MIDA 344	4 x 16 mm ²	4 x 16 mm ²	1,5	3
MIDA 404	4 x 2,5 mm ²	4 x 2,5 mm ²	-	-
MIDA 406	4 x 2,5 mm ²	4 x 2,5 mm ²	-	-
MIDA 409	4 x 2,5 mm ²	4 x 2,5 mm ²	-	-
MIDA 414	4 x 6 mm ²	4 x 6 mm ²	1	3
MIDA 418	4 x 6 mm ²	4 x 6 mm ²	1	3
MIDA 425	4 x 6 mm ²	4 x 6 mm ²	1,5	3
MIDA 430	4 x 6 mm ²	4 x 6 mm ²	1,5	3
MIDA 438	4 x 16 mm ²	4 x 16 mm ²	1,5	3
MIDA 444	4 x 16 mm ²	4 x 16 mm ²	1,5	3



WARNING

Use unshielded cables for input cables and shielded cables for output cables.

**WARNING**

Always use cables with appropriate cable lugs, which may be supplied with the product.

**WARNING**

For motor cable lengths greater than 5 meters, the use of special output filters, available on request, is recommended.

7.3.2. Control cables

Model	Maximum cross-section of the control cables	Tightening torque [Nm]
Control terminals of all models	1 mm ²	0,5

**WARNING**

Use shielded cable for control cables.

**WARNING**

Always use cables with appropriate cable lugs, which may be supplied with the product.

7.4. Electromagnetic Compatibility (EMC)

The device meets the requirements of electromagnetic compatibility according to the EN61800-3 standard. However, to ensure the electromagnetic compatibility of the system in which it is installed, it is necessary:

- use ground connection cables that are as short as possible.
- use motor cables that are as short as possible and shielded, with the shield connected at both ends.
- use shielded signal cables with the shield connected at one end only.

**WARNING**

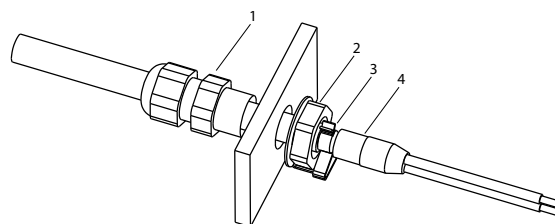
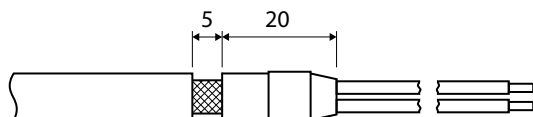
Install signal, motor, and power cables separately from each other at a distance of at least 30 cm. If the signal cables meet the power cables, cross them perpendicularly.

**WARNING**

It is possible to remove the connection of the filter capacitors C_y to the ground by removing the screws marked with the EMC symbol. In this way, the ground leakage currents caused by the filter are reduced, but the intrinsic EMC compatibility of the device is no longer valid and must therefore be guaranteed externally in another way.

EMC clip for cable glands

To ensure correct grounding of the shield when using shielded cables, it is recommended to use the appropriate EMC clips as shown below.

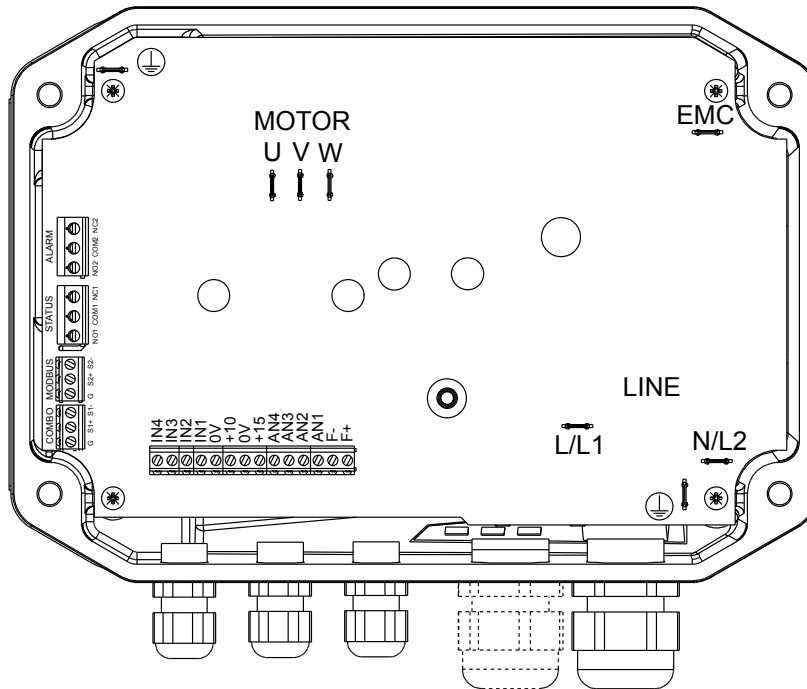


1: Cable gland; 2: Lock nut; 3: EMC clip; 4: Shielded cable

7.5. Electrical connections

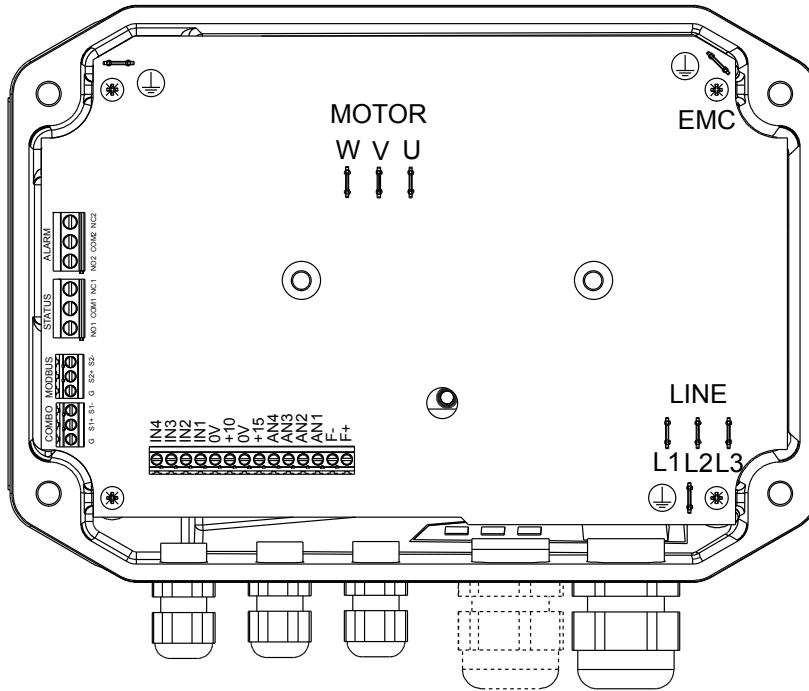
7.5.1. Power connections

MIDA 203 , MIDA 205 , MIDA 207 ,



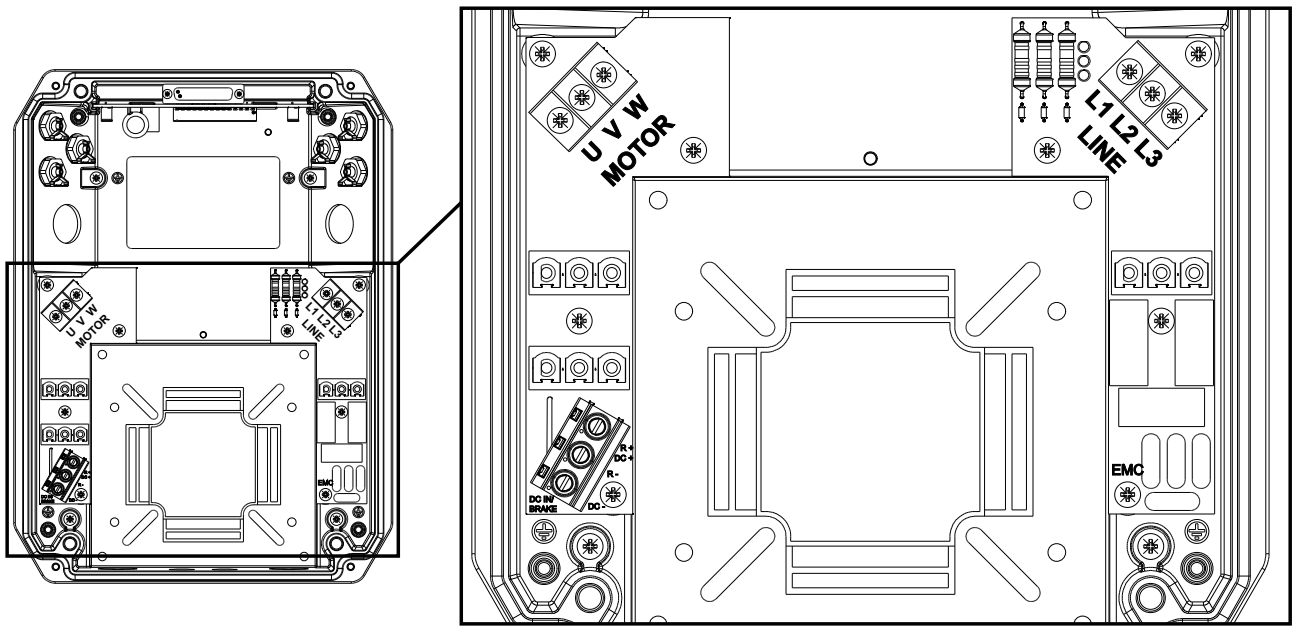
		A [mm]	Pre-insulated cable lug	Stripping diagram
Power Supply LINE	L1/L	70	6.3 x 0.8 mm female Faston	
	L2/N	70	6.3 x 0.8 mm female Faston	
	P.E. ⊕	70	6.3 x 0.8 mm female Faston	
Motor MOTOR	U	120 (200)	6.3 x 0.8 mm female Faston	Wall installation
	V	120 (200)	6.3 x 0.8 mm female Faston	
	W	120 (200)	6.3 x 0.8 mm female Faston	
	P.E. ⊕	180 (200)	6.3 x 0.8 mm female Faston	Installation on board the engine

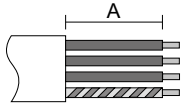
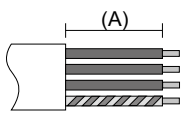
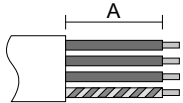
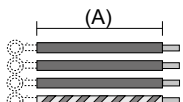
MIDA 304 , MIDA 306 , MIDA 309 ,MIDA 404 , MIDA 406 , MIDA 409



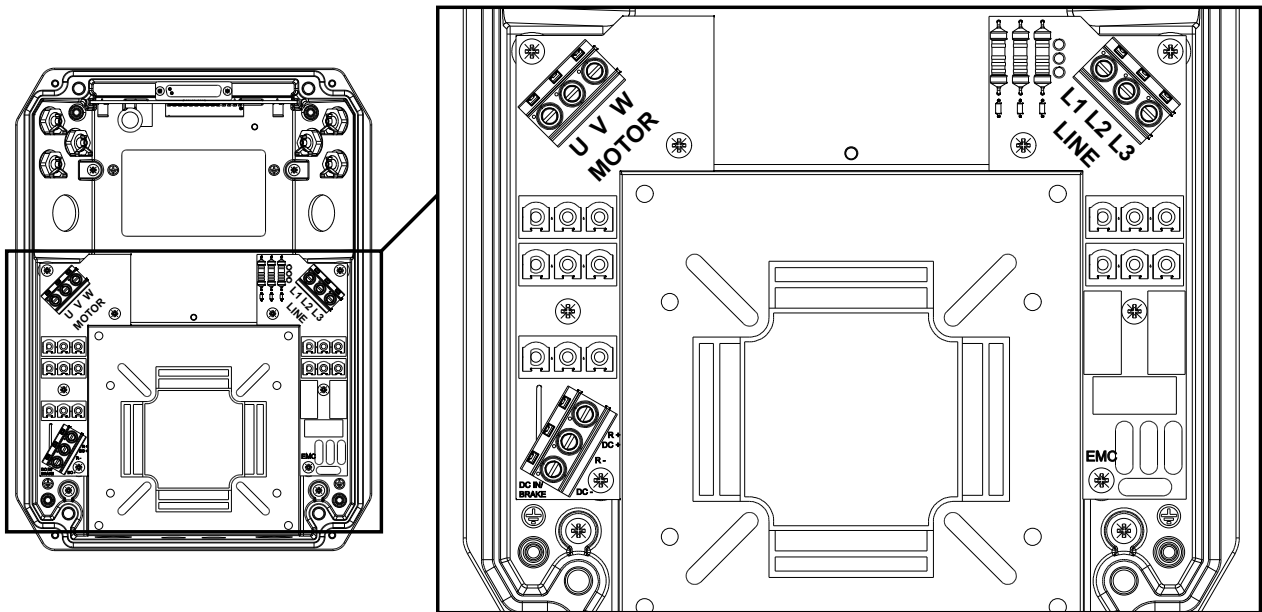
		A [mm]	Pre-insulated cable lug	Stripping diagram
Power Supply LINE	L1	70	6.3 x 0.8 mm female Faston	
	L2	70	6.3 x 0.8 mm female Faston	
	L3	70	6.3 x 0.8 mm female Faston	
	P.E. ⊕	70	6.3 x 0.8 mm female Faston	
Motor MOTOR	U	120 (200)	6.3 x 0.8 mm female Faston	Wall installation
	V	120 (200)	6.3 x 0.8 mm female Faston	
	W	120 (200)	6.3 x 0.8 mm female Faston	
	P.E. ⊕	180 (200)	6.3 x 0.8 mm female Faston	Installation on board the engine

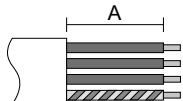
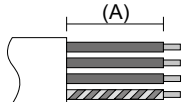
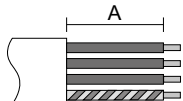
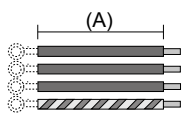
MIDA 314 , MIDA 318, MIDA 414 , MIDA 418



		A [mm]	Pre-insulated cable lug	Stripping diagram
Power Supply LINE	L1	180 (120)	Fork for M4 screw	Wall installation (through lower cable glands) 
	L2	180 (120)	Fork for M4 screw	
	L3	180 (120)	Fork for M4 screw	
	P.E. ⊕	180 (120)	Eyelet for M4 screw	Installation on motor (through lateral cable glands) 
Motor MOTOR	U	180 (180)	Fork for M4 screw	Wall installation 
	V	180 (180)	Fork for M4 screw	
	W	180 (180)	Fork for M4 screw	
	P.E. ⊕	180 (180)	Eyelet for M4 screw	Installation on board the engine 

MIDA 325 , MIDA 330 , MIDA 338 , MIDA 344 ,MIDA 425 , MIDA 430 , MIDA 438 , MIDA 444



		A [mm]	Pre-insulated cable lug	Stripping diagram
Power Supply LINE	L1	180 (120)	Tip	Wall installation (through lower cable glands) 
	L2	180 (120)	Tip	
	L3	180 (120)	Tip	Installation on motor (through lateral cable glands) 
	P.E. ⊕	180 (120)	Eyelet for M4 screw	
Motor MOTOR	U	180 (180)	Tip	Wall installation 
	V	180 (180)	Tip	
	W	180 (180)	Tip	Installation on board the engine 
	P.E. ⊕	180 (180)	Eyelet for M4 screw	

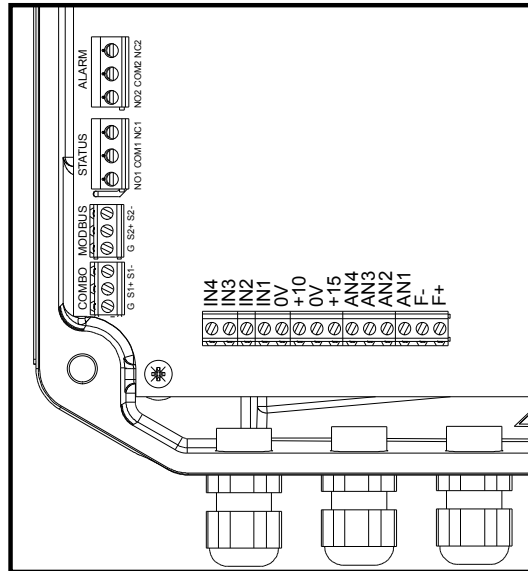


DANGER

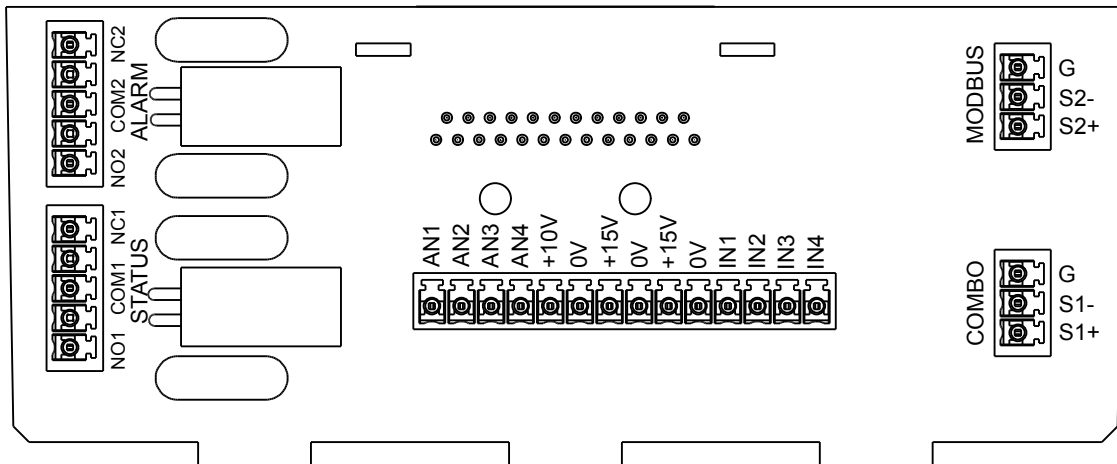
In size 2 devices, the DL1, DL2, DL3 LEDs next to the power supply terminal block indicate the presence of voltage in the input phases. Do not touch the device and its components for any reason if one or more LEDs are on.

7.5.2. Control connections

Control connections for size 1 devices



Control connections for size 2 devices



Type		Description	Functionality	Comments
Analog inputs	AN1	4-20 mA	Sensor 1	-
	AN2	4-20 mA	Sensor 2	-
	AN3	0-10 V	External set value	
	AN4	0-10 V	External frequency External set value 2	
Power Supply	+15V	15 VDC, max 100 mA	Power supply for 4-20 mA analog inputs	Do not use as a power supply for the digital inputs!
Power Supply	+10V	10 VDC, max 3 mA	Power supply for 0-10 V analog inputs	Do not use as a power supply for the digital inputs!
Signal GND	0V	Insulated	Signal GND for analog and digital inputs	-
Digital inputs	IN1	Active low	Motor start and stop	Programmable as Normally Open or Normally Closed.
	IN2	Active low	Motor start and stop Switching of set value 1 and 2 Switching of work frequency 1 and 2	Programmable as Normally Open or Normally Closed.
	IN3	Active low	Motor start and stop Switching of sensors 1 and 2	Programmable as Normally Open or Normally Closed.

Type		Description	Functionality	Comments
	IN4	Active low	Alarms reset Motor start and stop Switch between main and auxiliary control modes	Programmable as Normally Open or Normally Closed.
Relay outputs	NO1	Normally Open	STATUS relay NO1, COM1: closed contact with motor running. NC1, COM1: closed contact with motor stopped.	Potential-free contacts Max 250 VAC, 2 A Max 30 VDC, 2 A
	COM 1	Common		
	NC1	Normally Closed		
Relay outputs	NO2	Normally Open	ALARM relay NO2, COM2: closed contact without alarm. NC2, COM2: closed contact with alarm or without power supply.	Potential-free contacts Max 250 VAC, 2 A Max 30 VDC, 2 A
	COM 2	Common		
	NC2	Normally Closed		
RS485 serial port	S1+	Positive	Communication	-
	S1-	Negative	COMBO	-
	G	Serial GND		The serial GND is isolated from the signal GND
RS485 serial port	S2+	Positive	Communication	-
	S2-	Negative	MODBUS RTU	-
	G	Serial GND		The serial GND is isolated from the signal GND

7.6. Output filter board (accessory for size 2 devices)

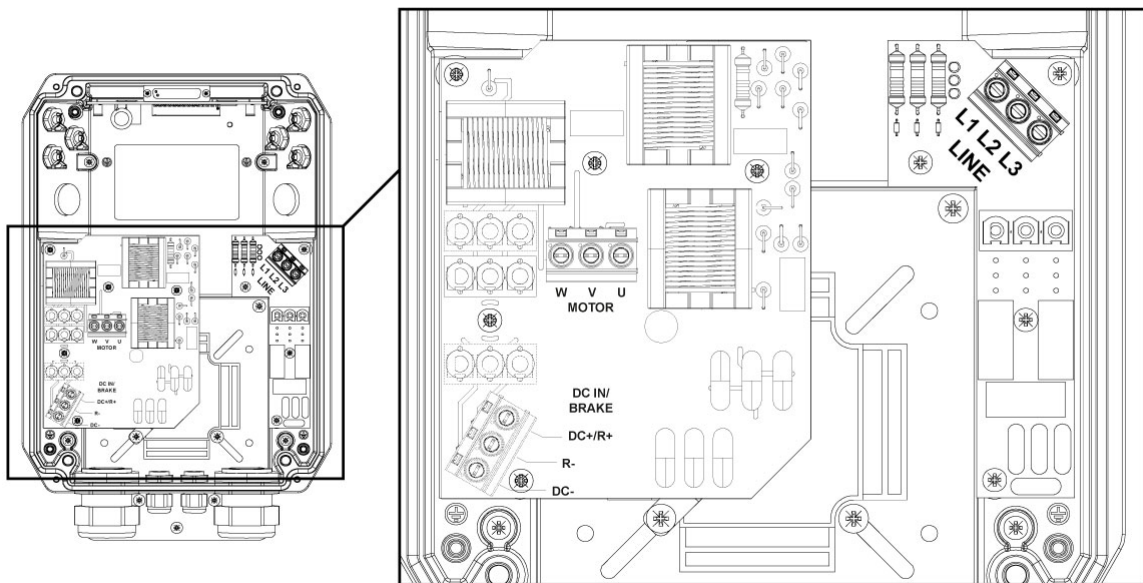
In the presence of motor cables longer than 5 meters, to reduce the dangerous overvoltages generated in the motor windings and improve the EMC performance of the system, it is possible to install the special filter board on board the inverter as an alternative to using filters external.

To install the filter card, simply remove the motor output card from the base and apply the filter card using the appropriate screws.



WARNING

When using the filter tab, it is recommended to set the parameter PWM at 2.5 kHz and keep the length of the motor cable within 150 m.



8. Commissioning

8.1. Preliminary checks

Before supplying power to the device, carry out the following electrical and mechanical checks:

- Check that the device complies with the motor control according to its data plate.
- Verify proper grounding of the device, of the load, and of the entire system.
- Check the correct connection of the power supply cable and the motor cable, paying particular attention to any connection reversal.
- Check the correct connection of the power and signal cables, paying particular attention to any polarity.
- Check that the connection terminals of the power and signal cables are correctly tightened.
- Check the implementation of electromagnetic compatibility (EMC) regulations and the correct connection of cable shields.
- Check that the protective devices are present and correctly installed.
- Check that the mechanical installation is correct, sturdy and complies with environmental and cooling requirements.
- Check that the seals are intact and correctly positioned in their seats.
- Check that the cable glands and screws are properly tightened.
- Check that the device is completely closed and that live parts are not accessible.

8.2. Powering

**DANGER**

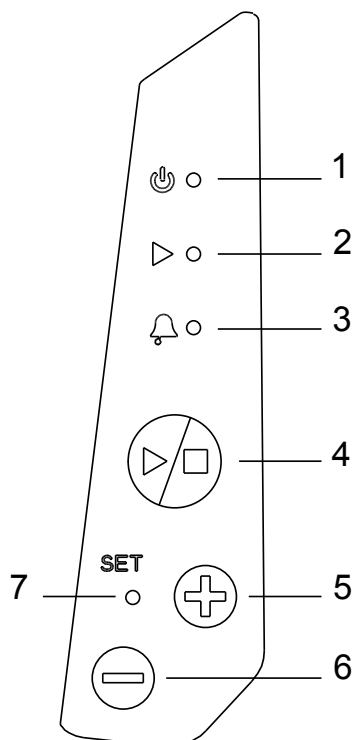
Before supplying power to the device, make sure you have read, understood and implemented all the safety, mechanical, and electrical installation instructions.

At the end, it shall be possible to:

- power up the device.
- verify the correct switching on and the absence of alarm messages.
- perform programming.
- start the motor.

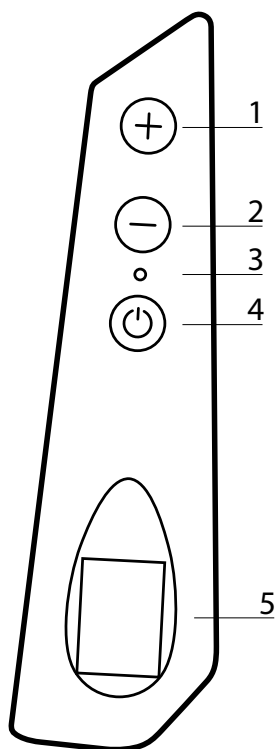
9. Use and programming

9.1. Keyboard (version without display)



1. Red LED ON: the unit is powered with the correct power supply voltage.
FLASHING red led: undervoltage.
2. Green LED ON: motor running. Green led OFF: motor stopped. When the unit is in "constant value" control mode, the green LED flashes with a greater frequency the closer the measured value is to the set value. If the measured value is the same as the set value, the green LED is constantly on.
3. The yellow LED flashes with a variable frequency according to the type of alarm. See the chapter on alarms.
4. Starting and stopping the engine. If the unit is in an alarm state, it is possible to try to reset the alarm by pressing the key twice.
5. +: parameter scrolling / parameter editing
Use the + key to increase the set value or frequency. In order to allow the set value to be edited, it is necessary to hold down the + or - button for more than 5 seconds until the set value to be edited starts flashing. To confirm the set value, simply wait 5 seconds or press the START/STOP button.
6. -: parameter scrolling / parameter editing
Use the - key to decrease the set value or frequency. In order to allow the set value to be edited, it is necessary to hold down the + or - button for more than 5 seconds until the set value to be edited starts flashing. To confirm the set value, simply wait 5 seconds or press the START/STOP button.
7. Green LED is ON when it is possible to change the set value (constant value mode) or the set frequency (fixed frequency mode). Press and hold the Up key or the Down key for more than 5 seconds in order to allow the set adjustment. If the SET led is off, it is not possible to change the set value. When two or more units are in COMBO mode, the SET LED flashes only in correspondence with the master unit. In this way it is possible to understand which unit in the group is the master and act on it to start or stop the system. The green LED flashes quickly when the unit is connected to a smartphone for control via the App.

9.2. Keyboard and display



1. +: parameter scrolling / parameter editing
Use the + key to increase the set value or frequency. In order to allow the set value to be edited, it is necessary to hold down the + or - button for more than 5 seconds until the set value to be edited starts flashing. To confirm the set value, simply wait 5 seconds or press the START/STOP button.
2. -: parameter scrolling / parameter editing
Use the - key to decrease the set value or frequency. In order to allow the set value to be edited, it is necessary to hold down the + or - button for more than 5 seconds until the set value to be edited starts flashing. To confirm the set value, simply wait 5 seconds or press the START/STOP button.
3. Signaling LEDs:
 - RED on: the device is powered with the correct supply voltage and is in stand-by.
 - GREEN: motor running.
 - YELLOW flashing: alarm condition.
4. START / STOP: motor start / stop
5. DISPLAY

Keep the START / STOP key pressed down for at least 5 seconds to activate the START/STOP key lock function through which it is only possible to scroll and view the operating parameters, using the + and - keys; this does not allow starting or stopping the motor. Press the START/STOP button again for at least 5 seconds to deactivate the lock.

Keep the + and - keys pressed for at least 5 seconds to reverse the display.

9.3. Control via App

The device can be controlled using a smartphone or tablet equipped with Bluetooth BTLE connectivity and with the App Nastec NOW installed. The App is available for Android and iOS and may be downloaded, free of charge, from the respective online stores.

Android



iOS



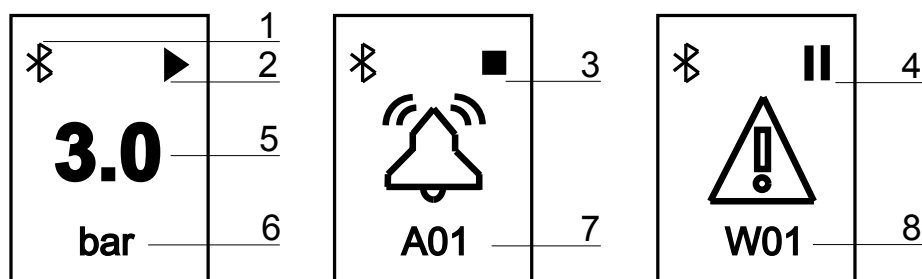
Through the application it is possible to:

- Monitor multiple operating parameters simultaneously.
- Obtain energy consumption statistics and check alarm history.
- Run reports with the possibility of adding notes, images and send them by e-mail or store them in the digital archive.
- Create schedules, save them in the archive, copy them to other devices, and share them among multiple users
- Control a device remotely, via Wi-Fi or GSM, using a smartphone placed nearby as a modem.
- Access manuals and additional technical documentation.
- Receive online help on parameters and alarms.

9.4. Initial display

When the device is switched on, the control firmware version (LCD = X.XX), the power firmware version (INV = X.XX) and the hardware version (HW = X.XX) are communicated to the user.

Next, the initial view opens.



1: Bluetooth on. Flashing during communication; 2: Motor running; 3: Motor stopped; 4: Stand-by; 5: Value read; 6: Units of measurement; 7: Alarm; 8: Warning

Parameter	Description
XX.X [bar]	Measured pressure value.
XXX.X [Hz]	Frequency with which the inverter is powering the motor.
XXX [VAC]	Inverter power supply voltage. This appears only while the motor is in the OFF state. In the ON state, the current absorbed by the motor is displayed instead of the supply voltage.
XX.X [A]	Current absorbed by the motor.
X.XX [cos ϕ]	Cosine of the ϕ phase displacement angle between voltage and current. It is also called the motor power factor.
XX.X [kW]	Estimate of the active electrical power absorbed by the motor.
X [INV]	Device address when COMBO functionality is enabled.
AXX	Alarm XX.
WXX	Warning XX.

The App allows monitoring other parameters and consult the alarm log.

9.5. FOC motor control

9.5.1. Introduction

The benefits provided by the FOC (Field Oriented Control) motor control implemented in the "FOC-ready" inverters over a traditional control are as follows:

- Ideal control of the current at each operating point.
- Quick and accurate speed adjustment.
- Lower energy consumption.
- Reduction of torque fluctuations (vibrations) for smoother and more regular operation throughout the frequency range and less system noise.
- Less mechanical stress on the motor, pump and hydraulic system.

The FOC control of "FOC-ready" devices can be used with:

- Three-phase asynchronous motors
- Permanent magnet three-phase synchronous motors

The control is "sensorless" and therefore does not require the use of any sensor.

9.5.2. FOC control calibration

To enable the device to perform the FOC check it is necessary:

1. Carry out all system wiring. Connect the load (pump) to the inverter using a cable of suitable length, and any dV / dt or sine filter.
2. Power up the system and follow the initial set-up procedure specifying:
 - a. Motor type: three-phase asynchronous or permanent magnet synchronous motor.
 - b. Rated voltage of the motor according to its data plate.
 - c. Rated frequency of the motor according to its data plate.
 - d. Rated current of the motor increased by 5% compared to the value on the data plate.
3. Carry out the Auto tuning process to allow the inverter to learn the electrical information of the load connected to it (motor, cable and filter - if any). The calibration process can take up to 1 minute.
4. Wait for the calibration process to be completed successfully.



NOTE

The calibration process can take up to 1 minute. Wait until it is completed.



NOTE

The calibration process must be performed in the final electrical configuration of the system, that is after the motor, the cable and any filter have been fitted.

If a change is made to the motor, cable or filter once they have been fitted, the calibration process must be repeated.



CAUTION

Incorrect setting of motor voltage, frequency and rated current leads to incorrect results in the calibration process and consequently to motor malfunction.



WARNING

Setting the rated current of the motor too high compared to the value on the data plate can seriously damage both the motor and the inverter. Setting the rated current of the motor too high compared to the value on the data plate can seriously damage both the motor and the inverter.



WARNING

During calibration the motor coils are heated by the test current. If the motor is self-ventilated, the absence of motor rotation does not allow the heat to be dispersed by force. The motor should therefore be allowed to cool between one calibration and the next.

**DANGER**

During the calibration process, the motor remains stationary but is powered for the entire calibration period. Disconnect the device from the power supply before any intervention on the equipment and on the loads connected to it.

If the calibration process is not successful, check that:

- The connections between the inverter and the load (including any interposed motor filters).
- The set rated voltage, frequency and current values.

**NOTE**

The motor cannot be started until the calibration process has been completed.

**NOTE**

If the calibration process cannot be completed, it is possible to manually enter the parameters or stator resistance (R_s) and stator inductance (L_s) in the motor parameters menu (default password 002). These data can be provided by the motor manufacturer or obtained through measurements. If you do not have these data and the self-calibration process is not successful, contact the technical support service.

9.5.3. Adjusting the FOC control

The FOC control algorithm checks current (torque) and speed with defined response dynamics.

The FOC dynamics is set by default to a value sufficient to guarantee accurate and oscillation-free control in most applications.

In some cases, however, it may be necessary to increase (in case of frequency oscillations) or to lower (in case of overcurrent or igbt trip alarms) the "FOC dynamic" setting in the motor parameters menu (default password 002) according to the following table:

Configuration	FOC dynamics
Motor cables shorter than 100 m and no filter between inverter and motor.	200
Motor cables shorter than 100 m and a dV/dt filter between the inverter and the motor.	150
Motor cables longer than 100 m and a dV/dt filter between the inverter and the motor.	100
Presence of a sine filter between the inverter and the motor.	50 or 40 or less

**WARNING**

The incorrect configuration of the FOC dynamics may cause:

- Speed oscillations if the FOC dynamics is too slow.
- Overcurrent or igbt trip alarms if the FOC dynamics is too fast.

Intervene promptly by appropriately adjusting the "FOC Dynamics" parameter if the conditions listed above are present. Failure to act may lead to damages to the inverter, the motor and the system.

9.6. Menu

Access to the menus is password-protected at two levels:

- **Installer level:** Allows editing the parameters related to pump operation in the hydraulic system on which it is installed. **Password 1, default 001.**
- **Advanced level:** Allows editing the parameters that so critical that they may compromise the life of the device, the pump, and the system if they are set incorrectly. **Password 2, default 002.**

Within each menu, it is possible to change the relative access password.

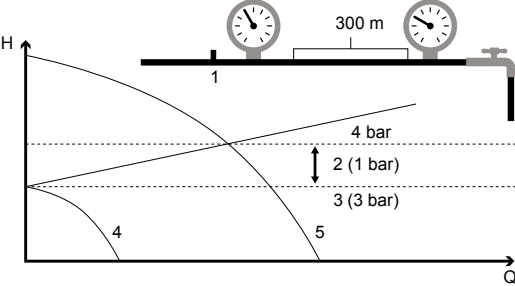
**NOTE**

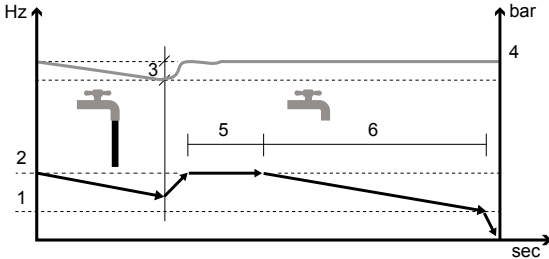
When an incorrect password is entered to access both the installer and advanced level, the parameters can only be displayed but not edited.

In case of loss of the password, contact the technical support service to obtain the universal password.

Menu	Description	Level	Default password
Control parameters	Menu of parameters for controlling the pump in the hydraulic system in which it is installed.	Installer	001
Motor parameters	Menu of parameters for motor control	Advanced	002
IN/OUT parameters	Menu of parameters for analog and digital inputs and outputs	Installer	001
Connectivity parameters	Menu of parameters for connectivity and external communication.	Installer	001

9.7. Control parameters

Parameter	Default	Description	1	2	3	4	5
Control mode 1. Constant value 2. Fix speed 3. Constant value 2 set 4. Fix speed 2 values 5. External speed	Constant value	The following control modes can be selected: 1. Constant value: the device varies the speed of the pump in such a way as to keep the set value constant regardless of water consumption. 2. Fix speed: the device powers the pump at the set frequency. 3. Constant value 2 set: two desired values can be selected by opening or closing digital input 2. 4. Fix speed 2 values: two desired frequency values can be selected by opening or closing digital input 2. 5. External speed: it is possible to control the motor frequency through an analog signal connected to analog input 4.	x	x	x	x	x
Control mode aux XXXXXXXX	Constant value	Operate on digital input 4 to switch from the main control mode to the auxiliary control mode and vice versa.	x	x	x	x	x
Max alarm value $p = XX.X$ [bar]	10	Value that can be reached in the system beyond which, even in constant frequency operating mode, the pump is stopped and an alarm signal is emitted. The pump is restarted only after the measured value has dropped below the maximum alarm value for more than 5 seconds.	x	x	x	x	x
Min alarm value $p = XX.X$ [bar]	0	Minimum value that can be reached in the system below which, even in constant frequency operating mode, the pump is stopped and an alarm signal is emitted. The pump is restarted only after the measured value has risen above the minimum alarm value for more than 5 seconds.	x	x	x	x	x
Pipe fill ramp XXX [s]	= Ramp up time	Ramp time to follow after a start if the measured value is lower than the minimum alarm value. The piping filling ramp expires after the set time or if the measured value reaches the set value. In COMBO mode, only one unit is enabled to operate as long as the filling ramp is active.	x		x		
External set enabling ON/OFF	OFF	Enabling the setting of the set value via analog input 3.	x		x		
Set value $p = XXX.X$ [bar]	3	Value that you want to keep constant.	x				
Compensation $p = XXX.X$ [bar]	0	Compensation at the maximum frequency. The sign can be reversed via the green key.  <p>1: sensor; 2: Compensation ; 3: Set value ; 4: Min motor frequency; 5: Max motor frequency</p> <p>In the case of a group of pumps in COMBO mode, the compensation must be referred to each pump.</p>	x				

Parameter	Default	Description	1	2	3	4	5
Set value 2 p = XXX.X [bar]	3	Value that you want to keep constant.			x		
Compensation set 2 p = XX.X [bar]	0	Compensation at the maximum frequency. The sign can be reversed via the green key.			x		
Value set update t = XX [s]	5	Time interval for updating the set value according to the compensation.	x		x		
Operating frequency f = XXX [Hz]	= Max motor frequency	Frequency used by the device to power the motor.		x		x	
Operating frequency 2 f = XXX [Hz]	= Max motor frequency	Frequency used by the device to power the motor.				x	
Frequency min control fmin = XXX [Hz]	50	Minimum frequency below which the pump must try to stop following the control ramp (Control ramp).	x		x		
Stop delay t = XX [s]	5	Delay during which an attempt is made to stop the pump below the minimum control frequency (Frequency min control).	x		x		
Control ramp t = XX [s]	40	Time in which the device decreases the motor power frequency from the minimum control frequency (Frequency min control) to the minimum motor frequency (Min motor frequency). If during this time the measured value falls below Set value - Delta control, the device restarts the motor. If not, the device will stop the motor completely following the control ramp (Control ramp).	x		x		
Delta start p = XXX.X [bar]	0.5	This parameter communicates by how much the measured value must fall from the set value for the previously stopped pump to be restarted.	x		x		
Delta control p = XXX.X [bar]	0.1	This parameter communicates by how much the measured value must fall in relation to the set value so that the pump, during shutdown in control ramp, is restarted. 	x		x		
Delta stop p = XX.X [bar]	0.5	This parameter represents the increment of the measured value with respect to the set value that must be exceeded so that a forced shutdown of the pump according to the stop ramp can occur.	x		x		
Ki XXX		Integral coefficient used in constant value adjustment.	x		x		
Kp XXX		Proportional coefficient used in constant value adjustment.	x		x		
COMBO ON/OFF	OFF	Enable the function COMBO for the combined operation of several pumps in parallel. Read the dedicated chapter.	x		x		
Address XX	01	Device address when in COMBO mode: • 0: master • 01 to 07: slave	x		x		

Parameter	Default	Description	1	2	3	4	5
Alternance ON/OFF	ON	Enabling the alternation between units in COMBO and D.O.L. The order of priority of operation is alternated based on the previous start-up of each pump in order to obtain an almost uniform wear of the pumps.	x		x		
Alternance period t = XX [h]	0	Maximum difference in operating hours between multiple devices in the unit. 0 means 5 minutes.	x		x		
COMBO synchrony ON/OFF	OFF	Through this parameter it is possible to activate the synchronous operation of the pumps in COMBO. Read the dedicated chapter. However, it is necessary to lower parameter Frequency min control accordingly.	x		x		
Start delay AUX t = XX [s]	00	Time delay with which the pumps in a group start up after the variable speed pump has reached the maximum motor frequency and the measured value has fallen below the difference Set value - Delta control.	x		x		
PI control Direct/Reverse	Direct	PI control mode: <ul style="list-style-type: none">• Direct: as the pump speed increases, the measured value increases.• Reverse: as the pump speed increases, the measured value decreases.	x		x		
Periodic autorun t = XX [h]	00	Periodic pump start-up after X hours of inactivity. The value 0 disables the function.	x	x	x	x	x
Dry run cosphi cosphi = X.XX		Cosphi value that is measured when the pump is running dry. Below this value the device stops the pump and generates a water shortage alarm. If the motor is of the synchronous type with permanent magnets, this parameter represents the percentage with respect to the rated current set below which the device stops the motor and generates the no-water alarm.	x	x	x	x	x
Restarts delay t = XX [min]	10	Time base that establishes the delay of attempts to restart the pump following a no-water alarm. With each attempt, the delay time is doubled. The maximum number of attempts is 5.	x	x	x	x	x
Change password1 Press ENT		By pressing the ENT key it is possible to change the installer level password (level 1) (default 001).	x	x	x	x	x

9.8. Motor parameters

Parameter	Default	Description
Motor type XXXXXXXX	Three-phase asynchronous	Type of motor connected and control used: <ul style="list-style-type: none">• Singlephase PSC: control for single-phase 2-wire PSC motors.• Threephase asynchronous: control for three-phase asynchronous motors.• Synchronous PM: control for permanent magnet synchronous motors.• Scalar: V / f scalar control.
Rated motor voltage V = XXX [V]		Rated voltage of the motor according to its data plate. The average voltage drop across the inverter is 20 to 30V RMS depending on the load conditions.
Voltage boost V = XX.X [%]		Motor starting voltage increase to favor the starting torque. Contact the motor manufacturer for more information.
Rated motor current I = XX.X [A]		Motor rated current according to its data plate increased by 5%. The voltage drop across the inverter may result in a current absorption greater than the motor rated current indicated on the data plate. It is necessary to check with the motor manufacturer that this overcurrent can be tolerated.
Rated motor frequency f = XXX [Hz]	50	Rated frequency of the motor according to its data plate.
Max motor frequency f = XXX [Hz]	50	Maximum frequency intended to power the motor. Reducing the maximum motor frequency reduces the maximum current consumption.
Min motor frequency f = XXX [Hz]	30	Minimum motor frequency. When using submersible pumps with Kingsbury type thrust system, it is recommended not to go below 1750 rpm so as not to compromise the thrust system.

Parameter	Default	Description
Ramp up time t = XX [sec]		<p>Motor start ramp from minimum frequency (Min motor frequency) to maximum frequency (Max motor frequency).</p> <p>Slower ramps cause less strain on the motor and pump and therefore promote longer life. On the other hand, response times are longer.</p> <p>Excessively fast start-up ramps may lead to an overload in the inverter.</p>
Ramp down t = XX [sec]		<p>Motor stop ramp from maximum frequency (Max motor frequency) to minimum frequency (Min motor frequency).</p> <p>Slower ramps cause less strain on the motor and pump and therefore promote longer life. On the other hand, response times are longer.</p> <p>Excessively fast stop ramps may lead to an overvoltage in the inverter due to the regenerative effect.</p>
Ramp freq. min motor t = XX [sec]		<p>Time in which the motor reaches the minimum frequency from standstill (Min motor frequency) and vice versa.</p> <div style="text-align: center;"> </div> <p>1: Max motor frequency; 2: Frequency min control; 3: Min motor frequency; 4: PI control; 5: Ramp up time; 6: Ramp freq. min motor ; 7: Ramp down; 8: Stop delay; 9: Control ramp; 10: Ramp freq. min motor</p>
PWM f = XX [kHz]		<p>Inverter modulation frequency.</p> <p>It is possible to choose between 2.5, 4, 6, 8, 10 kHz depending on the inverter model.</p> <p>Higher values correspond to a more faithful reconstruction of the sine wave. When using very long motor cables (>20 m), the appropriate output filters, available upon request, should be interposed between the inverter and the motor and the correct value of the PWM parameter according to the type of filter and the length of the cable should be set. This reduces the probability of voltage peaks at the motor input while safeguarding the winding insulation.</p> <p>Lower values reduce the heating of the inverter.</p>
V/f linear quadratic XXX %	80%	<p>This parameter allows changing the V/f characteristic with which the device supplies the motor. The linear characteristic corresponds to a constant torque characteristic with varying revolutions. The quadratic characteristic corresponds to a variable torque characteristic and is generally suitable for use with centrifugal pumps. The torque characteristic must be chosen ensuring smooth operation, reduced energy consumption and lower heating and motor noise. With single-phase motors, we recommend setting linear V/f (0%).</p>
Rotation sense ---> / <---	--->	<p>Running direction of the motor. Should the motor run in the wrong direction, it is possible to reverse the running direction without having to change the phase sequence in the connection.</p> <div style="border: 1px solid black; padding: 5px; margin-top: 10px;"> <p>CAUTION</p> <p>If there is more than one pump in a COMBO unit, it is best to use the same phase sequence when connecting the motors and to set the same running direction.</p> </div>
Motor tuning ENT to access		<p>If the device is "FOC-ready", motor calibration must be carried out before commissioning.</p> <div style="border: 1px solid black; padding: 5px; margin-top: 10px;"> <p>WARNING</p> <p>Carefully read the chapter dedicated to the FOC motor control.</p> </div>
Motor resistance Rs=XXX.XX [Ohm]		Manual setting of the stator resistance.
Motor inductance Ls=XXX.XX [mH]		Manual setting of the stator inductance.
FOC dynamics XXX	200	Setting of the control dynamic of the FOC algorithm.
FOC speed XXX	5	Setting of the control speed of the FOC algorithm.

Parameter	Default	Description
Autorestart ON/OFF	OFF	By selecting ON, when the mains power is restored after a power failure, the device will return to the same state it was in before the power failure: this means that if the pump was working, it will start working again
Change password2 Press ENT		By pressing the ENT key it is possible to change the advanced level password (level 2) (default 002).

9.9. IN / OUT parameters

Parameter	Default	Description
Unit XXXXX	bar	Units of measurement [bar, %, ft, in, cm, m, K, F, C, gpm, l / min, m ³ / h, atm, psi].
Full scale sensor p = XXX.X [bar]	16	Full scale of the sensor.
Min value sensor p = XXX.X [bar]	0	Minimum sensor value.
Offset input1 XX.X [%]	20%	Zero correction for analog input 1 (4-20 mA). (20 mA x 20% = 4 mA).
Offset input2 XX.X [%]	20%	Zero correction for analog input 2 (4-20 mA). (20 mA x 20% = 4 mA).
Offset input3 XX.X [%]	20%	Zero correction for analog input 3.
Offset input4 XX.X [%]	0%	0-10 V : 10V x 0% = 0 V
AN1, AN2 function XXXXXXXXX	Independent	Operating logic of analog inputs AN1, AN2: <ul style="list-style-type: none"> • Independent. The active sensor is relative to analog input 1, while the sensor connected to analog input 2 serves as an auxiliary in case of failure of the sensor or of analog input 1. • Selectable. The active sensor may be selected via digital input 3. • Difference 1-2. The digital difference in absolute value is performed between the measurements of analog input 1 and analog input 2. • Higher value. The maximum value between the measurements of the two sensors is considered. • Lower value. The minimum value between the measurements of the two sensors is considered.
Digital input1 N.O./N.C.	N.O.	If N.O. (Normally Open) is selected, the device will continue to operate the motor if digital input 1 is open. Conversely, it will stop the motor if digital input 1 is closed. If N.C. (Normally Closed) is selected, the device will continue to operate the motor if digital input 1 is closed. Conversely, it will stop the motor if digital input 1 is open.
Digital input2 N.O./N.C.	N.O.	If N.O. (Normally Open) is selected, the device will continue to operate the motor if digital input 2 is open. Conversely, it will stop the motor if digital input 2 is closed. If N.C. (Normally Closed) is selected, the device will continue to operate the motor if digital input 2 is closed. Conversely, it will stop the motor if digital input 2 is open. Digital input 2 is also used to select set value 1 or set value 2 in the control mode Constant value 2 set or to select working frequency 1 or 2 in the control mode Fix speed 2 values.
Digital input3 N.O./N.C.	N.O.	If N.O. (Normally Open) is selected, the device will continue to operate the motor if digital input 3 is open. Conversely, it will stop the motor if digital input 3 is closed. If N.C. (Normally Closed) is selected, the device will continue to operate the motor if digital input 3 is closed. Conversely, it will stop the motor if digital input 3 is open. Digital input 3 is also used to select sensor 1 or sensor 2 when the parameter AN1, AN2 function is set to Selectable.
Digital input4 N.O./N.C.	N.O.	If N.O. (Normally Open) is selected, the device will continue to operate the motor if digital input 4 is open. Conversely, it will stop the motor if digital input 4 is closed. If N.C. (Normally Closed) is selected, the device will continue to operate the motor if digital input 4 is closed. Conversely, it will stop the motor if digital input 4 is open. Digital input 4 is also used to select the main or auxiliary control mode in case they are different. Digital input 4 also serves as alarm reset.
Man reset In Dig1	OFF	Enabling or disabling the manual reset of the digital input.
Man reset In Dig2	OFF	Enabling or disabling the manual reset of the digital input.

Parameter	Default	Description
Dig. input 2/3 delay t = XX [s]	1	Delay of digital inputs 2 and 3. Digital inputs 1 and 4 have a fixed delay of 1 second.
Change password1 Press ENT		By pressing the ENT key it is possible to change the installer level password (level 1) (default 001).

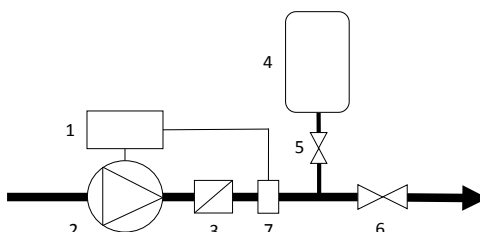
9.10. Connectivity parameters

Parameter	Default	Description
MODBUS address XXX	1	MODBUS address from 1 to 247
MODBUS baudrate XXXXX	9600	MODBUS baudrate from 1200 bps to 57600 bps
MODBUS data format XXXXX	RTU N81	MODBUS data format: RTU N81, RTU N82, RTU E81, RTU O81
MODBUS EEPROM write ON/OFF	OFF	Setting the writing mode of the parameters transmitted via MODBUS: ON: the datum is saved in EEPROM OFF: the datum is not saved in EEPROM
Change password1 Press ENT		By pressing the ENT key it is possible to change the installer level password (level 1) (default 001).

10. Constant pressure operation

10.1. Introduction

The MIDA can manage the running speed of the pump in such a way as to keep the pressure constant as the water demand changes. A pressure sensor placed as close as possible to the pump is used for this purpose.



1: Inverter; 2: Pump; 3: Check valve; 4: Pressure vessel; 5: Gate valve; 6: Gate valve; 7: Pressure sensor

10.2. The pressure vessel

In water systems equipped with inverters, the function of the pressure vessel is to compensate for losses (or minimum water consumption) and maintain pressure when the pump is stopped, thus avoiding excessively frequent start/stop cycles. It is of fundamental importance to correctly choose the volume and the pre-charge pressure of the pressure vessel. Too small volumes do not allow effectively compensating the minimum water consumption or the losses when the pump is stopped, while too high volumes make it difficult for the inverter to control the pressure. It is generally sufficient to place a pressure vessel with a volume of about 10% of the maximum flow rate required, considered in liters/minute.

Example

If the maximum flow rate required is 60 l/min, it is sufficient to use a 6 liter pressure vessel.

The pre-charge pressure of the pressure vessel must be approx. 80% of the operating pressure.

Example

If the set pressure in the inverter is 4 bar, the pre-charge pressure of the pressure vessel should be approx. 3.2 bar.

**NOTE**

The pre-charge pressure must be adjusted with the system completely unloaded.

10.3. Electrical connections

The device may be connected to linear pressure sensors with 4 - 20 mA output. The supply voltage range of the sensor must be such as to include the 15 V DC voltage with which the device feeds the analog inputs.

The pressure sensor is connected via the terminals of the analogue input 1, i.e:

- AN1: 4-20 mA signal (-)
- +15V: 15 VDC power supply (+)

The device supports the installation of a second pressure sensor for:

- Operating at constant differential pressure (read the dedicated chapter).
- Automatic replacement of the main pressure sensor in case of failure.
- Exchange of active pressure sensor via digital input.

The secondary pressure sensor is connected via the terminals of the analogue input 2, i.e:

- AN2: 4-20 mA signal (-)
- +15V: 15 VDC power supply (+)

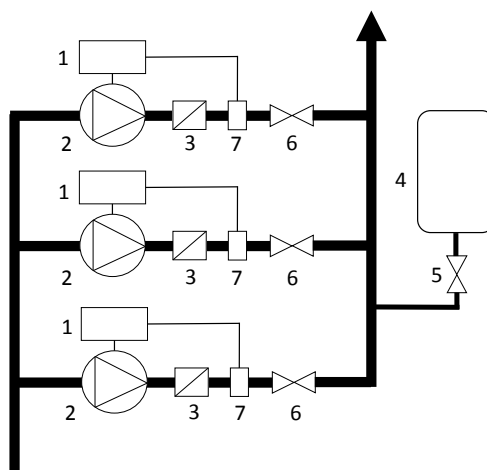
11. Splitting the pumping system

11.1. Introduction.

When the variation in water demand is considerable, it is a good idea to split the pumping unit into several units to ensure greater efficiency and reliability.

A splitting method (called COMBO mode) consists in using several pumps in parallel (up to 8) each controlled by an inverter.

In this case, the efficiency and reliability of the pumping unit is maximized, ensuring soft starts and stops and complete protection of the pumps. The alternation of operation also allows to even out the wear of the pumps and, in case of failure of a pump or an inverter, the remaining units of the group can continue their operation.



1: Inverter; 2: Pump; 3: Check valve; 4: Pressure vessel; 5: Gate valve; 6: Gate valve; 7: Pressure sensor

11.2. Variable speed pumping unit with two or more pumps in COMBO mode.

The unit consists of two or more pumps (up to 8) each controlled by an inverter, and each equipped with its own pressure sensor. The inverters are connected to each other via RS485 serial port.

One inverter is configured as master (address 00) whereas the others are configured as slaves (addresses 01 to 07).

**NOTE**

Each inverter must be equipped with its own pressure sensor.

11.2.1. Cascade operating principle.

Cascade operation is the default operation in COMBO mode.

When water is required, a pump is started at variable speed according to the demand.

As the demand increases and the maximum frequency is reached, a second pump is started.

An additional water demand, leads to an increase in the pump frequency until, having reached its maximum frequency, a third pump is started and so on.

In case of reduced demand, the last pump started decreases its frequency until it switches off.

11.2.2. Synchronous operating principle.

If parameter COMBO synchrony is set to ON, synchronous operation is achieved. This operating mode provides additional energy savings over cascade operation.

When water is required, a pump is started at variable speed according to the demand.

When the demand increases and the maximum frequency is reached, a second pump is started and the two pumps run at the same speed to satisfy the water demand.

A further request leads to an increase in the frequency of the two pumps until, having reached their maximum frequency, a third pump is started and so on.

In case of reduced demand, all the pumps of the unit reduce their frequency and, once reached the minimum frequency, the pump that was started last switches off.

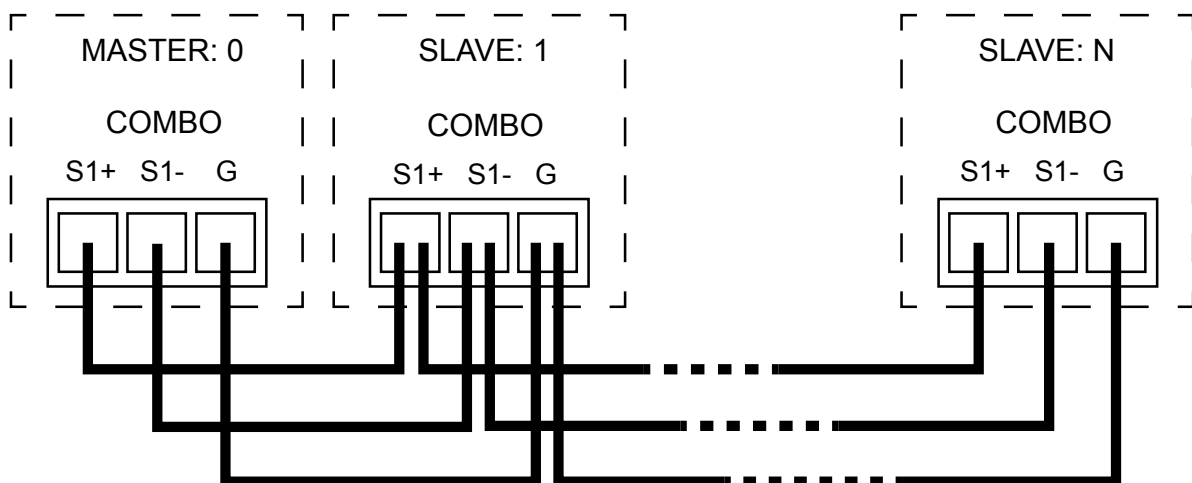
**NOTE**

To ensure correct synchronous operation, parameter Frequency min control must be set appropriately, i.e. two or three Hz above the working frequency at zero flow.

**NOTE**

If parameter Alternance is set to ON, the start priority of the pumps in COMBO mode is established according to the operating hours, and parameter Alternance period establishes the number of hours of continuous operation after which the pumps in the unit are forced to alternate.

11.2.3. Electrical connections.

**WARNING**

Respect the polarity of the connections.

11.2.4. Programming the master unit.

Menu	Parameter	Value
Control parameters	COMBO	ON to activate.
Control parameters	Address	00
Control parameters	Alternance	ON to activate / OFF to deactivate.
Control parameters	Alternance period	Establishes the number of hours of continuous operation after which the pumps in the unit are forced to alternate. The value 0 means 5 minutes.
Control parameters	COMBO synchrony	ON to activate / OFF to deactivate.
Control parameters	Start delay AUX	We recommend setting 0 s.

11.2.5. Programming of slave units.

Menu	Parameter	Value
Control parameters	COMBO	ON to activate.
Control parameters	Address	from 01 to 07.
Control parameters	Alternance	ON to activate / OFF to deactivate. It is possible to determine which devices are included in the alternation and which are not. Devices excluded from the alternation will receive a starting priority based on their address.



NOTE

To start or stop a unit in COMBO mode, simply press the START or STOP button on the master unit only.



NOTE

To change the operating parameters of a COMBO unit, operate on the unit's master. When the Master Menu is exited, the remote programming of the connected slave units is required. In this manner, all parameters set in the master are also copied to the slaves with the exception of parameter Address.



CAUTION

When the master menu is accessed, the communication with the slave units is interrupted and the A13 No communication alarm is produced. Communication is automatically re-established by exiting the Master Menu.



WARNING

In case of pumps in COMBO mode, it is recommended to make the connections to the motor respecting the same phase sequence. In this manner, it will be ensured that by copying parameter Rotation sense from the master unit to the slave units, all the pumps in the unit will maintain the correct running direction.

11.2.6. Automatic master replacement

In COMBO mode, if a slave or the pump connected to it should fail or enter an alarm state, the unit will continue to operate with the remaining units.

In case the master or the pump connected to it should break down or enter an alarm state, the unit will stop for about 30 seconds generating the A13 No communication alarm in the slaves. After the waiting time has elapsed, the slave with address 1 will become the master, thus allowing the unit to resume operation.

If the master reappears in the unit, the latter will stop again for about 30 seconds, generating the A12 Address error alarm in the master and in the slave 1.

After the waiting time has elapsed, the master will assume address 0 and the slave address 1, thus allowing the unit to resume operation.



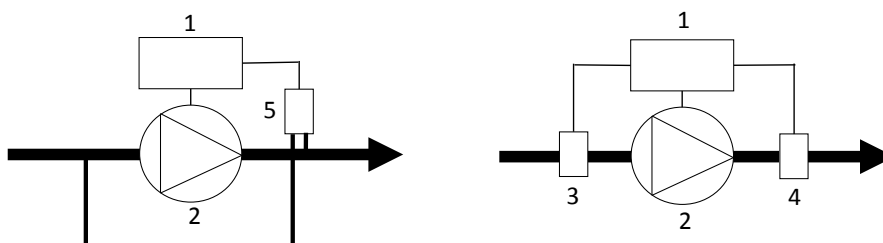
CAUTION

In order to enable automatic master changeover, parameter Autorestart must be set to ON. Do not touch the keypad of the devices during the master replacement process, otherwise the master change process will be interrupted.

12. Operation at constant differential pressure

12.1. Introduction

The inverter may manage the running speed of the pump in such a way as to maintain a constant differential pressure between the delivery and the suction of the pump in circulation systems. For this purpose, a differential pressure sensor is used or, alternatively, it is possible to use two identical pressure sensors placed one in the suction and the other in the delivery section of the pump. The absolute difference of the read values is performed by the device itself.



1: Inverter; 2: Pump; 3: Pressure sensor; 4: Pressure sensor; 5: Differential pressure sensor



NOTE

If the suction pressure is expected to drop below atmospheric pressure during operation, absolute rather than relative pressure sensors must be used.

12.2. Electrical connections

The device may be connected to linear pressure sensors with 4 - 20 mA output. The supply voltage range of the sensor must be such as to include the 15 V DC voltage with which the device feeds the analog inputs.

If a differential pressure sensor is used, it is necessary to connect the sensor to the analog input 1, i.e.:

- AN1: 4-20 mA signal (-)
- +15V: 15 VDC power supply (+)

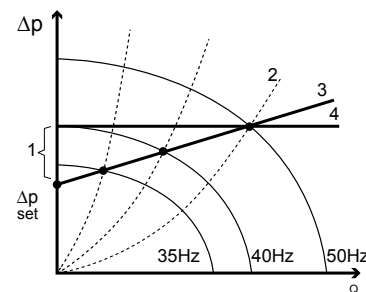
If two pressure sensors are used, one sensor must be connected to analog input 1 while the other sensor must be connected to analog input 2, i.e.:

- Sensor 1:
 - AN1: 4-20 mA signal (-)
 - +15V: 15 VDC power supply (+)
- Sensor 2:
 - AN2 4-20 mA signal (-)
 - +15V: 15 VDC power supply (+)

In circulation systems, the start and stop of the pump is generally controlled by an external contact which can therefore be connected to digital input 1 (IN1, 0V) and configured accordingly.

12.3. Programming

Menu	Parameter	Value
IN/OUT parameters	Full scale sensor	Sensor full scale value range.
IN/OUT parameters	Min value sensor	Minimum sensor value.
IN/OUT parameters	AN1, AN2 function	Independent when a differential pressure sensor is used. Difference 1-2 when two pressure sensors are used.
IN/OUT parameters	Digital input 1	N.O. when the pump is stopped by closing the contact of digital input 1 N.C. when the pump is stopped by opening the contact of digital input 1
Control parameters	Control mode	Constant value
Control parameters	Set value	Differential pressure value that you may want to keep constant.

Menu	Parameter	Value
Control parameters	Compensation	<p>This parameter is set other than 0 if you intend to operate a proportional differential pressure control. Additional energy savings may be achieved through this type of control.</p> <p>The pressure difference that you want to keep constant at Max motor frequency is given by the sum of parameters Set value + Compensation.</p> <p>The pressure difference that you want to keep constant at Min motor frequency corresponds to Set value .</p> <p>The pressure set then varies proportionally between Min motor frequency and Max motor frequency.</p>  <p>1: Compensation; 2: System curve; 3: Proportional differential pressure; 4: Constant differential pressure</p>
Control parameters	Frequency min control	Same as Min motor frequency
Control parameters	Stop delay	99 s
Control parameters	Start delay AUX	In twin circulation systems (two pumps), each controlled by an inverter in COMBO mode, this parameter should be set to 99 s in order to activate only one pump at a time while ensuring the alternation of the same.





13. Alarms





WARNING

Immediate remedies must be implemented in case of alarms to safeguard the integrity of the device itself and of the system in which it is installed.

Alarm	Description	Possible solutions
LINE<->MOT INV.	Reverse the connection of the power cable and motor cable.	<ul style="list-style-type: none"> Correct the connection of the power and motor cables.

Alarm	Description	Possible solutions
A01 Overcurrent motor	<p>The current absorbed by the motor exceeds the value set in the parameter Rated motor current.</p> <p>Reset mode:</p> <ul style="list-style-type: none"> Automatic reset after 10 seconds for up to 7 attempts, after which you must wait for 60 minutes. Disconnecting the power supply. 	<ul style="list-style-type: none"> Verify that the value set for the parameter Rated motor current corresponds at least to the rated current of the motor according to its rating plate data. <div data-bbox="842 241 1453 524" style="border: 1px solid #ccc; padding: 5px; margin: 5px 0;">  NOTE The voltage drop across the inverter (variable between 20 and 40 VAC) causes the motor to be powered at a slightly lower voltage than the one stated on the data plate. The current absorbed by the motor could therefore be slightly higher than the rated current indicated in data plate and, to obtain maximum performance, it is necessary to increase the parameter Rated motor current between 5% and 10%. </div> <div data-bbox="842 539 1453 667" style="border: 1px solid #ccc; padding: 5px; margin: 5px 0;">  WARNING Check with the motor manufacturer the tolerability to withstand a current greater than its rated current. </div> <ul style="list-style-type: none"> Check that all the motor phases are correctly connected and that the connection is suitably configured in Star or Delta. Check that motor parameters are correctly set. In devices with FOC control, perform a new motor calibration. In the presence of output filters (dV / dt or sinusoidal), check that they are correctly connected and, in devices with FOC control, check that you have correctly set the parameters PWM and FOC dynamics in relation to the length of the motor cable and the type of filter used. Check that the pump is turning in the correct direction. Make sure that the motor is free to rotate and check for any mechanical issues. Adjust parameter Voltage boost
A02 Sensor fault	<p>The current value read by the analog input is less than 4 mA.</p> <p>Reset mode:</p> <ul style="list-style-type: none"> Alarm reset by STOP key. Disconnecting the power supply 	<ul style="list-style-type: none"> Check that the connections on the device side and on the sensor side are correct. Check that the sensor is fed the correct power. Check that the sensor is working properly. If only one sensor is connected to analog input 1, try to connect it to analog input 2.
A03 Over temperature inverter	<p>The temperature reached by the device is higher than the maximum allowed value.</p> <p>Reset mode:</p> <ul style="list-style-type: none"> Automatic reset 	<ul style="list-style-type: none"> Check that the ambient temperature is within the allowed limits. Make sure the device is protected from direct exposure to sunlight or heat sources. Check that both the external and internal cooling fans (if present) are working properly. Check that the dissipation channels are clean. Check that the device is cooled as indicated in the dedicated chapter. Reduce parameter PWM as much as possible. <div data-bbox="842 1451 1453 1704" style="border: 1px solid #ccc; padding: 5px; margin: 5px 0;">  NOTE To ensure uninterrupted operation, the inverter automatically reduces the maximum frequency (i.e. power) when the internal temperature reaches a certain threshold. If such frequency reduction is not sufficient to keep the temperature above the maximum permitted value, the inverter will stop the motor and trigger the alarm A03 Over temperature inverter. </div>
A04 Dry run cosphi	<p>The warning W26 No water appeared 5 consecutive times following the automatic reset attempts.</p> <p>Reset mode:</p> <ul style="list-style-type: none"> Alarm reset by STOP key. Disconnecting the power supply 	<div data-bbox="842 1720 1453 1933" style="border: 1px solid #ccc; padding: 5px;">  WARNING When the warning W26 No water appears, the device will automatically restart the load after a time equal to the value set in the parameter Restarts delay multiplied by the number of attempts made. At the end of the fifth attempt, the device will definitively stop the load producing the alarm A04 Dry run cosphi. The alarm must be reset manually. </div>

Alarm	Description	Possible solutions
A05 Under voltage	<ul style="list-style-type: none"> Supply voltage below the minimum allowed value. Insufficient input power to power the device. <p>Reset mode:</p> <ul style="list-style-type: none"> Automatic reset if parameter Autoreset = ON 	<ul style="list-style-type: none"> Check the value of the power supply voltage both under no load and load conditions. Verify that the source has enough power to power the load.
A06 Over voltage	<p>The power supply voltage or the voltage inside the device exceeds the maximum allowed value.</p> <p>Reset mode:</p> <ul style="list-style-type: none"> Automatic reset if parameter Autoreset = ON 	<ul style="list-style-type: none"> Check the value of the power supply voltage both under no load and load conditions. Check for regeneration from the load. Increase parameter Ramp down Increase parameter Ramp freq. min motor In the case of a permanent magnet motor, check that the load is not subjected to passive movement.
A07 Max value alarm	<p>The value read by the analog input is higher than the value set for the parameter Max alarm value.</p> <p>Reset mode:</p> <ul style="list-style-type: none"> Automatic reset 	<ul style="list-style-type: none"> Check the value set for the parameter. Check the hydraulic causes that lead to the alarm condition. Check that the sensor is working properly.
A08 Locked rotor	<p>The automatic frequency limitation created by the inverter following an excessive absorption by the motor (beyond the value set in the parameter Rated motor current) causes a reduction of the frequency below the average value between Min motor frequency and Max motor frequency.</p> <p>Reset mode:</p> <ul style="list-style-type: none"> Alarm reset by STOP key. Disconnecting the power supply 	<ul style="list-style-type: none"> Check the possible solutions for the alarm A01 Overcurrent motor
A09 Overload inverter	<p>The current absorbed by the load exceeds the rated current of the device.</p> <p>Reset mode:</p> <ul style="list-style-type: none"> Alarm reset by STOP key. Disconnecting the power supply 	<ul style="list-style-type: none"> Check that the rated current of the motor is lower than the rated current of the device. Make sure that the motor is free to rotate and check for any mechanical issues. Increase the value of the parameter Ramp up time. Increase the value of the parameter Ramp freq. min motor. Adjust parameter Voltage boost Check the value of the power supply voltage both under no load and load conditions. <div style="border: 1px solid black; padding: 5px; margin-top: 10px;">  <p>CAUTION</p> <p>The device can supply power to the load for 10 minutes at a current consumption of 101 % of the rated current of the device, and for 1 minute at a current consumption of 110 % of the rated current of the device.</p> </div>
A10 IGBT trip alarm	<p>The current absorbed by the load instantaneously exceeds the maximum current protection of the device's power module.</p> <p>Reset mode:</p> <ul style="list-style-type: none"> Automatic reset after 10 seconds for up to 3 attempts, after which you must wait for 60 minutes. Disconnecting the power supply 	<ul style="list-style-type: none"> Check the possible solutions for alarms A01 Overcurrent motor and A09 Overload inverter. Check for short circuits between the output phases and the ground insulation. Check that the system is properly grounded. Check for electrical noise from other devices connected to the system.
A11 No load	<p>The current absorbed by the load is too low in relation to the parameter Rated motor current.</p> <p>Reset mode:</p> <ul style="list-style-type: none"> Alarm reset by STOP key. Disconnecting the power supply 	<ul style="list-style-type: none"> Check the possible solutions for the alarm A01 Overcurrent motor





Alarm	Description	Possible solutions
A12 Address error	In COMBO mode, multiple devices in the group have the same address. Reset mode: <ul style="list-style-type: none"> Automatic reset 	<ul style="list-style-type: none"> Restore the correct value of parameter Address in all the devices in the group. Verify which situation triggers the alarm. If the alarm is triggered after a master replacement, check that the parameter Autorestart is activated. Check the electrical connection between the slave unit and the master, and the presence of possible disturbances.
A13 No communication	In COMBO mode, the communication between the slave unit and the master has been interrupted. Reset mode: <ul style="list-style-type: none"> Automatic reset 	<ul style="list-style-type: none"> Check the electrical connection between the slave unit and the master, and the presence of possible disturbances. Exit the master programming menu. Attempt a manual reset of the alarm. <div style="border: 1px solid black; padding: 5px; margin-top: 10px;">  <p>CAUTION Keep signal cables separate and never parallel to power cables. If it is necessary to cross them, make sure that they cross perpendicularly.</p> </div>
A14 Min value alarm	The value read by the analog input is lower than the value set for the parameter Min alarm value. Reset mode: <ul style="list-style-type: none"> Automatic reset 	<ul style="list-style-type: none"> Check the value set for the parameter. Check the hydraulic causes that lead to the alarm condition. Check that the sensor is working properly.
A15 Keyboard fault	One of the keys of the keyboard was held down for more than 30 seconds. Reset mode: <ul style="list-style-type: none"> Alarm reset by STOP key. Disconnecting the power supply 	<ul style="list-style-type: none"> Check that the keys are mechanically free.
A16 CPU alarm	Communication error between the control part and the power part or error in the CPU. Reset mode: <ul style="list-style-type: none"> Automatic reset 	<ul style="list-style-type: none"> Check the value of the power supply voltage both under no load and load conditions. Check for electrical noise from other devices connected to the system. Check the integrity of the communication cable between the control board and the power board.
A17 Brake alarm	In devices equipped with brakes, it indicates the achievement of the maximum energy that the braking resistor can withstand. Reset mode: <ul style="list-style-type: none"> Automatic reset if parameter Autorestart = ON 	<ul style="list-style-type: none"> Check the possible solutions for the alarm A06 Over voltage .
A19 Out of step	With parameter Motor type set to Synchronous PM, the loss of motor control occurs. Reset mode: <ul style="list-style-type: none"> Automatic reset with a 3-minute delay. 	<ul style="list-style-type: none"> Check the possible solutions for the alarm A01 Overcurrent motor
A20 Input phase loss	Absence of a power supply phase. Reset mode: <ul style="list-style-type: none"> Automatic reset if parameter Autorestart = ON 	<ul style="list-style-type: none"> Check that all three power phases are present. Check the balance of the power supply phases.


14. Alarms (version without display)



WARNING

Immediate remedies must be implemented in case of alarms to safeguard the integrity of the device itself and of the system in which it is installed.

Alarm	Notification LED	Description	Possible solutions
LINE<->MOT INV.	Red STAND-BY led flashing very quickly.	Reverse the connection of the power cable and motor cable.	<ul style="list-style-type: none"> Correct the connection of the power and motor cables.
A01 Overcurrent motor	2 flashes of the yellow alarm led	<p>The current absorbed by the motor exceeds the value set in the parameter Rated motor current.</p> <p>Reset mode:</p> <ul style="list-style-type: none"> Automatic reset after 10 seconds for up to 7 attempts, after which you must wait for 60 minutes. Disconnecting the power supply. 	<ul style="list-style-type: none"> Verify that the value set for the parameter Rated motor current corresponds at least to the rated current of the motor according to its rating plate data. <div style="border: 1px solid gray; padding: 5px; margin-bottom: 10px;"> <p> NOTE</p> <p>The voltage drop across the inverter (variable between 20 and 40 VAC) causes the motor to be powered at a slightly lower voltage than the one stated on the data plate. The current absorbed by the motor could therefore be slightly higher than the rated current indicated in data plate and, to obtain maximum performance, it is necessary to increase the parameter Rated motor current between 5% and 10%.</p> </div> <div style="border: 1px solid gray; padding: 5px; margin-bottom: 10px;"> <p> WARNING</p> <p>Check with the motor manufacturer the tolerability to withstand a current greater than its rated current.</p> </div> <ul style="list-style-type: none"> Check that all the motor phases are correctly connected and that the connection is suitably configured in Star or Delta. Check that motor parameters are correctly set. In devices with FOC control, perform a new motor calibration. In the presence of output filters (dV / dt or sinusoidal), check that they are correctly connected and, in devices with FOC control, check that you have correctly set the parameters PWM and FOC dynamics in relation to the length of the motor cable and the type of filter used. Check that the pump is turning in the correct direction. Make sure that the motor is free to rotate and check for any mechanical issues. Adjust parameter Voltage boost
A02 Sensor fault	3 flashes of the yellow alarm led	<p>The current value read by the analog input is less than 4 mA.</p> <p>Reset mode:</p> <ul style="list-style-type: none"> Alarm reset by STOP key. Disconnecting the power supply 	<ul style="list-style-type: none"> Check that the connections on the device side and on the sensor side are correct. Check that the sensor is fed the correct power. Check that the sensor is working properly. If only one sensor is connected to analog input 1, try to connect it to analog input 2.
A03 Over temperature inverter	4 flashes of the yellow alarm led	<p>The temperature reached by the device is higher than the maximum allowed value.</p> <p>Reset mode:</p> <ul style="list-style-type: none"> Automatic reset 	<ul style="list-style-type: none"> Check that the ambient temperature is within the allowed limits. Make sure the device is protected from direct exposure to sunlight or heat sources. Check that both the external and internal cooling fans (if present) are working properly. Check that the dissipation channels are clean. Check that the device is cooled as indicated in the dedicated chapter. Reduce parameter PWM as much as possible. <div style="border: 1px solid gray; padding: 5px; margin-top: 10px;"> <p> NOTE</p> <p>To ensure uninterrupted operation, the inverter automatically reduces the maximum frequency (i.e. power) when the internal temperature reaches a certain threshold. If such frequency reduction is not sufficient to keep the temperature above the maximum permitted value, the inverter will stop the motor and trigger the alarm A03 Over temperature inverter.</p> </div>
A04 Dry run cosphi	1 flash of the yellow alarm led	<p>The warning W26 No water appeared 5 consecutive times following the automatic reset attempts.</p> <p>Reset mode:</p> <ul style="list-style-type: none"> Alarm reset by STOP key. Disconnecting the power supply 	<div style="border: 1px solid gray; padding: 5px;"> <p> WARNING</p> <p>When the warning W26 No water appears, the device will automatically restart the load after a time equal to the value set in the parameter Restarts delay multiplied by the number of attempts made. At the end of the fifth attempt, the device will definitively stop the load producing the alarm A04 Dry run cosphi. The alarm must be reset manually.</p> </div>

Alarm	Notification LED	Description	Possible solutions
A05 Under voltage	Flashing red STAND-BY led	<ul style="list-style-type: none"> Supply voltage below the minimum allowed value. Insufficient input power to power the device. Reset mode: <ul style="list-style-type: none"> Automatic reset if parameter Autorestart = ON 	<ul style="list-style-type: none"> Check the value of the power supply voltage both under no load and load conditions. Verify that the source has enough power to power the load.
A06 Over voltage	Red STAND-BY LED and yellow ALARM LED flashing.	<p>The power supply voltage or the voltage inside the device exceeds the maximum allowed value.</p> Reset mode: <ul style="list-style-type: none"> Automatic reset if parameter Autorestart = ON 	<ul style="list-style-type: none"> Check the value of the power supply voltage both under no load and load conditions. Check for regeneration from the load. Increase parameter Ramp down Increase parameter Ramp freq. min motor In the case of a permanent magnet motor, check that the load is not subjected to passive movement.
A07 Max value alarm	7 flashes of the yellow alarm led	<p>The value read by the analog input is higher than the value set for the parameter Max alarm value.</p> Reset mode: <ul style="list-style-type: none"> Automatic reset 	<ul style="list-style-type: none"> Check the value set for the parameter. Check the hydraulic causes that lead to the alarm condition. Check that the sensor is working properly.
A08 Locked rotor	2 flashes of the yellow alarm led	<p>The automatic frequency limitation created by the inverter following an excessive absorption by the motor (beyond the value set in the parameter Rated motor current) causes a reduction of the frequency below the average value between Min motor frequency and Max motor frequency.</p> Reset mode: <ul style="list-style-type: none"> Alarm reset by STOP key. Disconnecting the power supply 	<ul style="list-style-type: none"> Check the possible solutions for the alarm A01 Overcurrent motor
A09 Overload inverter	5 flashes of the yellow alarm led	<p>The current absorbed by the load exceeds the rated current of the device.</p> Reset mode: <ul style="list-style-type: none"> Alarm reset by STOP key. Disconnecting the power supply 	<ul style="list-style-type: none"> Check that the rated current of the motor is lower than the rated current of the device. Make sure that the motor is free to rotate and check for any mechanical issues. Increase the value of the parameter Ramp up time. Increase the value of the parameter Ramp freq. min motor. Adjust parameter Voltage boost Check the value of the power supply voltage both under no load and load conditions. <div style="border: 1px solid black; padding: 5px; background-color: #f0f0f0;"> <p> CAUTION The device can supply power to the load for 10 minutes at a current consumption of 101 % of the rated current of the device, and for 1 minute at a current consumption of 110 % of the rated current of the device.</p> </div>
A10 IGBT trip alarm	5 flashes of the yellow alarm led	<p>The current absorbed by the load instantaneously exceeds the maximum current protection of the device's power module.</p> Reset mode: <ul style="list-style-type: none"> Automatic reset after 10 seconds for up to 3 attempts, after which you must wait for 60 minutes. Disconnecting the power supply 	<ul style="list-style-type: none"> Check the possible solutions for alarms A01 Overcurrent motor and A09 Overload inverter. Check for short circuits between the output phases and the ground insulation. Check that the system is properly grounded. Check for electrical noise from other devices connected to the system.
A11 No load	Yellow alarm LED on and alarm display via App.	<p>The current absorbed by the load is too low in relation to the parameter Rated motor current.</p> Reset mode: <ul style="list-style-type: none"> Alarm reset by STOP key. Disconnecting the power supply 	<ul style="list-style-type: none"> Check the possible solutions for the alarm A01 Overcurrent motor

Alarm	Notification LED	Description	Possible solutions
A12 Address error	9 flashes of the yellow alarm led	In COMBO mode, multiple devices in the group have the same address. Reset mode: <ul style="list-style-type: none"> Automatic reset 	<ul style="list-style-type: none"> Restore the correct value of parameter Address in all the devices in the group. Verify which situation triggers the alarm. If the alarm is triggered after a master replacement, check that the parameter Autorestart is activated. Check the electrical connection between the slave unit and the master, and the presence of possible disturbances.
A13 No communication	6 flashes of the yellow alarm led	In COMBO mode, the communication between the slave unit and the master has been interrupted. Reset mode: <ul style="list-style-type: none"> Automatic reset 	<ul style="list-style-type: none"> Check the electrical connection between the slave unit and the master, and the presence of possible disturbances. Exit the master programming menu. Attempt a manual reset of the alarm. <div style="border: 1px solid black; padding: 5px; margin-top: 10px;">  <p>CAUTION Keep signal cables separate and never parallel to power cables. If it is necessary to cross them, make sure that they cross perpendicularly.</p> </div>
A14 Min value alarm	8 flashes of the yellow alarm led	The value read by the analog input is lower than the value set for the parameter Min alarm value. Reset mode: <ul style="list-style-type: none"> Automatic reset 	<ul style="list-style-type: none"> Check the value set for the parameter. Check the hydraulic causes that lead to the alarm condition. Check that the sensor is working properly.
A15 Keyboard fault	Yellow alarm LED on and alarm display via App.	One of the keys of the keyboard was held down for more than 30 seconds. Reset mode: <ul style="list-style-type: none"> Alarm reset by STOP key. Disconnecting the power supply 	<ul style="list-style-type: none"> Check that the keys are mechanically free.
A16 CPU alarm	10 flashes of the yellow alarm led	Communication error between the control part and the power part or error in the CPU. Reset mode: <ul style="list-style-type: none"> Automatic reset 	<ul style="list-style-type: none"> Check the value of the power supply voltage both under no load and load conditions. Check for electrical noise from other devices connected to the system. Check the integrity of the communication cable between the control board and the power board.
A19 Out of step	Yellow alarm LED on and alarm display via App.	With parameter Motor type set to Synchronous PM, the loss of motor control occurs. Reset mode: <ul style="list-style-type: none"> Automatic reset with a 3-minute delay. 	<ul style="list-style-type: none"> Check the possible solutions for the alarm A01 Overcurrent motor
A20 Input phase loss	Yellow alarm LED on and alarm display via App.	Absence of a power supply phase. Reset mode: <ul style="list-style-type: none"> Automatic reset if parameter Autorestart = ON 	<ul style="list-style-type: none"> Check that all three power phases are present. Check the balance of the power supply phases.

15. Warnings

Warning	Description	Possible solutions
W01 Digital input active 1	Digital input 1 has been activated.	<ul style="list-style-type: none"> Check the configuration and connections to digital input 1.
W02 Digital input active 2	Digital input 2 has been activated.	<ul style="list-style-type: none"> Check the configuration and connections to digital input 2.
W03 Digital input active 3	Digital input 3 has been activated.	<ul style="list-style-type: none"> Check the configuration and connections to digital input 3.
W04 Digital input active 4	Digital input 4 has been activated.	<ul style="list-style-type: none"> Check the configuration and connections to digital input 4.
W20 Temp. derate	The inverter is limiting the maximum motor frequency to keep the inverter temperature below the maximum limit.	<ul style="list-style-type: none"> Check the possible solutions for the alarm A03 Over temperature inverter.

Warning	Description	Possible solutions
W21 Overload 15V	15V power supply overload.	<ul style="list-style-type: none"> Check the absorption of the loads and any short circuits connected to the 15V power supply
W22 EEPROM COM.	No communication with EEPROM	<ul style="list-style-type: none"> Contact the technical support service.
W23 EEPROM fault	Failure in EEPROM	<ul style="list-style-type: none"> Contact the technical support service
W25 Alarm slave X	In control mode COMBO, the master has detected an alarm in the X slave.	<ul style="list-style-type: none"> Check the status of the XX slave unit indicated by the master.
W26 No water	The power factor (cosphi) of the motor read by the device is permanently below the value set in the parameter Dry run cosphi.	<ul style="list-style-type: none"> Check that the pump is properly primed. Check that the pump is turning in the correct direction. Check that the parameter Dry run cosphi is set correctly.
W27 START/STOP block	The START/STOP buttons have been locked.	<ul style="list-style-type: none"> Press the START or STOP button for at least 5 seconds to release the lock.

**NOTE**

With three-phase asynchronous motors, the correct value to which parameter Dry run cosphi is to be set depends on:

- The type of motor (construction and winding data). Generally, three-phase surface motors have a higher rated cosphi than submersible motors having the same power rating.
- The type of pump (hydraulic performance and power consumption curve).
- The power supply characteristics (voltage and frequency).

In general, the parameter Dry run cosphi may be set to 60% of the nominal cosphi shown on the pump's data plate.

Parameter Dry run cosphi must also be determined empirically at the end of the installation. In the presence of centrifugal pumps with three-phase asynchronous motor, a simple method consists in starting the pump at the rated frequency and, paying attention to the sustainability of the system, completely closing the delivery and then reading the measured cosphi value on the display (or on the App). Parameter Dry run cosphi must therefore be set to 10% less than the cosphi value read under closed flow condition.

**CAUTION**

The electronic water shortage protection based on parameter Dry run cosphi works correctly only with centrifugal pumps equipped with three-phase asynchronous motors.

In the presence of permanent magnet motors it is not possible to base the water shortage protection on the cosphi reading; it must be based on the absorbed power, instead.

When the parameter Motor type is set to Synchronous PM, the parameter Dry run cosphi assumes the meaning of percentage of Rated motor current

In the presence of other types of pumps and motors, it is advisable to contact the technical support service.

**WARNING**

If parameter Dry run cosphi is set too low, the electronic water shortage protection may no longer be effective.

Typically, it is recommended not to go below the value of 0.5 with centrifugal surface pumps and 0.4 with centrifugal submersible pumps equipped with asynchronous three-phase motor.

Setting parameter Dry run cosphi to 0 completely excludes the water shortage protection.

16. Warnings (version without display)

Warning	Notification LED	Description	Possible solutions
W01 Digital input active 1	Fast flashing yellow alarm LED	Digital input 1 has been activated.	<ul style="list-style-type: none"> Check the configuration and connections to digital input 1.
W02 Digital input active 2	Fast flashing yellow alarm LED	Digital input 2 has been activated.	<ul style="list-style-type: none"> Check the configuration and connections to digital input 2.

**NOTE**

With three-phase asynchronous motors, the correct value to which parameter Dry run cosphi is to be set depends on:

- The type of motor (construction and winding data). Generally, three-phase surface motors have a higher rated cosphi than submersible motors having the same power rating.
- The type of pump (hydraulic performance and power consumption curve).
- The power supply characteristics (voltage and frequency).

In general, the parameter Dry run cosphi may be set to 60% of the nominal cosphi shown on the pump's data plate.

Parameter Dry run cosphi must also be determined empirically at the end of the installation. In the presence of centrifugal pumps with three-phase asynchronous motor, a simple method consists in starting the pump at the rated frequency and, paying attention to the sustainability of the system, completely closing the delivery and then reading the measured cosphi value on the display (or on the App). Parameter Dry run cosphi must therefore be set to 10% less than the cosphi value read under closed flow condition.

**CAUTION**

The electronic water shortage protection based on parameter Dry run cosphi works correctly only with centrifugal pumps equipped with three-phase asynchronous motors.

In the presence of permanent magnet motors it is not possible to base the water shortage protection on the cosphi reading; it must be based on the absorbed power, instead.

When the parameter Motor type is set to Synchronous PM, the parameter Dry run cosphi assumes the meaning of percentage of Rated motor current

In the presence of other types of pumps and motors, it is advisable to contact the technical support service.

**WARNING**

If parameter Dry run cosphi is set too low, the electronic water shortage protection may no longer be effective.

Typically, it is recommended not to go below the value of 0.5 with centrifugal surface pumps and 0.4 with centrifugal submersible pumps equipped with asynchronous three-phase motor.

Setting parameter Dry run cosphi to 0 completely excludes the water shortage protection.

17. EC Declaration of Conformity

The manufacturer hereby:

Nastec srl

Via della Tecnica, 8, 36048, Barbarano Mossano, Vicenza, Italy

declares under its own responsibility that the product:

MIDA

complies with the following directives:

- 2014/53 / EU Radio Equipment Directive (RED)
- 2011/65 / EU - RoHS Directive

and that the following harmonized standards and technical specifications have been applied:

- EN 61000-6-4:2007 + A1:2011
- EN 61000-6-3:2007 + A1:2011
(MIDA 203 , MIDA 205 , MIDA 207)
- EN 61000-6-1:2007 + A1:2011
(MIDA 203 , MIDA 205 , MIDA 207)
- EN 61000-3-2:2011
- EN 61000-3-3:2000
- EN 61000-6-2:2005 + AC:2005
- EN 61800-3:2004 + A1:2012
- EN 62233:2008
- EN 62311:2008
- ETSI EN 301 489-17 V3.1.1:2017
- ETSI EN 301 489-3 V1.1.1:2017
- ETSI EN 301 489-1 V2.1.1:2017
- ETSI EN 300 328 V2.1.1:2016-11
- EN 60529:1991 + A1:2000 + A2:2013
- EN 60335-1:2012 + AC:2014 + A11:2014 + A13:2017
- EN 50581:2012

Barbarano Mossano

23/01/2021

Ing. Marco Nassuato

Managing Director



18. UK Declaration of Conformity

The manufacturer hereby:

Nastec srl

Via della Tecnica, 8, 36048, Barbarano Mossano, Vicenza, Italy

declares, under its own responsibility, that the product:

MIDA

complies with the following directives:

- UK SI 2017 No. 1206 Radio Equipment Regulations 2017
- UK SI 2012 No. 3032. Restriction of the Use of Certain Hazardous Substances in Electrical and Electronic Equipment Regulations 2012 (RoHS2)

and that the following harmonised standards and technical specifications have been applied:

- BS EN 61000-6-4:2007 + A1:2011
- BS EN 61000-6-3:2007 + A1:2011
(MIDA 203 , MIDA 205 , MIDA 207)
- BS EN 61000-6-1:2007 + A1:2011
(MIDA 203 , MIDA 205 , MIDA 207)
- BS EN 61000-3-2:2011
- BS EN 61000-3-3:2000
- BS EN 61000-6-2:2005 + AC:2005
- BS EN 61800-3:2004 + A1:2012
- BS EN 62233:2008
- BS EN 62311:2008
- ETSI EN 301 489-17 V3.1.1:2017
- ETSI EN 301 489-3 V1.1.1:2017
- ETSI EN 301 489-1 V2.1.1:2017
- ETSI EN 300 328 V2.1.1:2016-11
- BS EN 60529:1991 + A1:2000 + A2:2013
- BS EN 60335-1:2012 + AC:2014 + A11:2014 + A13:2017
- BS EN 50581:2012

Barbarano Mossano

02/03/2022

Ing. Marco Nassuato

Managing Director



